



**E PICK**

Original Notice

© 2021 Robotiq Inc.

Robotiq EPick Vacuum Gripper  
for CB-Series Universal Robots



Instruction Manual

LEAN   
ROBOTICS  
[robotiq.com](http://robotiq.com) | [leanrobotics.org](http://leanrobotics.org)

Revisions .....	5
1. General Presentation .....	7
1.1. Gripper nomenclature .....	7
1.2. Object picking .....	9
1.3. Setup and control .....	9
2. Safety .....	11
2.1. Warning .....	12
2.2. Intended Use .....	13
3. Installation .....	15
3.1. Scope of Delivery .....	15
3.2. Required Tools and Equipment .....	18
3.3. Environmental and Operating Conditions .....	18
3.4. Mechanical Installation .....	19
3.5. Electrical Setup .....	27
3.6. Testing the Gripper with the Robotiq User Interface (RUI) .....	31
3.7. Installation for Universal Robots .....	32
3.8. URCap Package .....	33
4. Software .....	42
4.1. Overview .....	42
4.2. Vacuum Gripper register mapping .....	44
4.3. Robot output registers & functionalities .....	44
4.4. Robot input registers & status .....	48
4.5. Vacuum Gripper behavior .....	51
4.6. Control logic .....	56
4.7. Modbus RTU communication .....	56
4.8. Control over Universal Robots with URCap .....	63
5. User Interface .....	74
6. Specifications .....	75
6.1. Technical dimensions .....	75
6.2. Mechanical specifications .....	88
6.3. Electrical specifications .....	99
7. Maintenance .....	101



---

7.1. Vacuum Gripper cleaning .....	102
7.2. Periodic inspection .....	103
<hr/>	
8. Spare Parts, Kits and Accessories .....	105
<hr/>	
9. Troubleshooting .....	109
9.1. Communication .....	109
9.2. Vacuum Gripper verification .....	111
9.3. I/O Coupling Troubleshooting .....	112
<hr/>	
10. Warranty .....	114
10.1. I/O Coupling Warranty .....	116
<hr/>	
11. Harmonized Standards, Declarations and Certificates .....	117
11.1. Original EC declaration of incorporation .....	117
11.2. Applied standards .....	118
<hr/>	
12. Contact .....	119





---

# Revisions

---

Robotiq may modify this product without notice, when necessary, due to product improvements, modifications or changes in specifications. If such modification is made, the manual will also be revised, see revision information. See the latest version of this manual online at: [support.robotiq.com](http://support.robotiq.com).

## 2021/06/04

- Update of section 4.3 Robot Output Registers & Functionalities
- Update of section 3.1 Scope of Delivery
- Update of section 3.6 Installation for Universal Robots
- Update of section 6.2 Mechanical Specifications
- Update of section 6.2.2 Center of Mass and Tool Center Point
- Update of section 8. Spare Parts, Kits and Accessories

## 2020/04/14

- Update of Specification and Warranty sections

## Revision 2019/12/04

- Update of the Vacuum Gripper firmware
- Update of the Vacuum Gripper behavior and modes
- Update of the Vacuum Gripper Toolbar

## Revision 2019/10/10

- Addition of the Electrostatic Discharge section
- Update of the I/O Coupling sections

## Revision 2019/08/15

- Add of Multiple Vacuum Gripper sections

## Revision 2019/07/30

Addition of Wrist connection Kit (I/O Coupling) section

## 2019/06/14

Initial release



## Copyright

© 2016-2021 Robotiq Inc. All rights reserved.

This manual and the product it describes are protected by the Copyright Act of Canada, by laws of other countries, and by international treaties, and therefore may not be reproduced in whole or in part, whether for sale or not, without prior written consent from Robotiq. Under copyright law, copying includes translation into another language or format.

Information provided by Robotiq in this document is believed to be accurate and reliable. However, no responsibility is assumed by Robotiq for its use. There may be some differences between the manual and the product if the product has been modified after the edition date.

The information contained in this document is subject to change without notice.



# 1. General Presentation

The terms "Gripper", "EPick Gripper", "EPick Vacuum Gripper" and "EPick" used in the following manual all refer to the Robotiq EPick Vacuum Gripper. The Robotiq EPick Vacuum Gripper is a robotic peripheral designed for industrial applications. The vacuum is generated with an electric vacuum pump. Its design makes it a unique robotic end-of-arm tool to quickly pick, place and handle a large range of parts of varying sizes and shapes.

## Info

The following section presents the key features of the Gripper and must not be considered as appropriate to the operation of the Gripper. Each feature is detailed in the appropriate section.

## Info

The following manual uses the metric system. Unless specified, **all dimensions are in millimeters.**

## 1.1. Gripper nomenclature

### 1.1.1. EPick Gripper

The EPick Gripper is a vacuum Gripper that generates a vacuum with an electric vacuum pump.. It is equipped with one or multiple suction cups. Each suction cup can be adapted to your application and grasping needs. The EPick Gripper is compatible with the Robotiq standard coupling interface.



Fig. 1-1: Robotiq EPick Gripper

### Info

Please refer to the **Scope of Delivery** section subsection and the **Spare Parts, Kits and Accessories** section for details on standard and optional parts.

## 1.1.2. Suction Cup System

A Robotiq Suction Cup System can be installed directly under the Vacuum Gripper. Each Robotiq Suction Cup System includes a bracket, a manifold, air nodes, port plugs, bumpers, tubing and additional suction cups.



*Fig. 1-2: Suction cup system*

### Info

Please refer to the **Installation** section for more information on how to integrate the Suction Cup System to EPick.

### Info

Please refer to the **Scope of Delivery** section subsection and the **Spare Parts, Kits and Accessories** section for details on standard and optional parts.

### Tip

The owner can use a custom bracket or a mounting plate. The bracket or mounting plate can be installed directly under the manifold.





## 1.2. Object picking

The EPick Gripper allows:

1. Main unit suction cup
2. Auxiliary system with multiple suction cups

### Warning

Object picking causes the compression of the suction cup(s) , which can result in pinching points between the gripper and the load. Avoid presence of body parts in this zone during operation.

### Warning

Before picking any new object or material in autonomous mode, always check that the resulting vacuum level is sufficient to ensure safe gripping, in order to prevent dropping or ejection of the load.

### 1.2.1. Main unit suction cup

In order to use only one suction cup, the single cup can be mounted right in the port of the vacuum generator.

### 1.2.2. Auxiliary system with multiple suction cups

A standard Suction Cup System can be attached to the EPick Vacuum Gripper. The bracket normally holds two or four suction cups (corresponding to the four ports of the manifold).

Any unused manifold port should be blocked with a mating plug to avoid air leakage.

Other custom mounting options can also be used to benefit from a multiple suction cups solution

### Caution

Custom brackets and plates must meet the required technical specifications (refer to the **Technical dimensions** section subsection).

## 1.3. Setup and control

The Vacuum Gripper is powered and controlled directly via a single device cable that carries 24 V DC power and Modbus RTU communication over RS-485.

### Info

Please refer to the **Electrical Setup** section subsection for wiring information, and to the **Software** section for the control of the Vacuum Gripper.

In order to be used, the EPick Gripper has to be connected to a Gripper coupling which provides both the mechanical and electrical connectivity to the Gripper.



**Info**

Please refer to the **Mechanical Installation** section for more information on mounting the Vacuum Gripper onto the coupling. Refer to the **Technical dimensions** section for the technical drawing, and refer to the **Spare Parts, Kits and Accessories** section for a list of the available couplings.

The EPick Gripper boasts an embedded object detection feature which uses indirect sensing measurements. The system thus indicates if the workpiece has been dropped or if the Gripper failed to grasp the workpiece.

**Info**

For more information regarding the object detection feature, please refer to the **Software** section.



---

## 2. Safety

---

### Warning

The operator must have read and understood all of the instructions in the following manual before operating the Robotiq Vacuum Gripper.

### Caution

The term "operator" refers to anyone responsible for any of the following operations on the Robotiq Vacuum Gripper:

- Installation
- Control
- Maintenance
- Inspection
- Calibration
- Programming
- Decommissioning

This manual covers the various components of the Robotiq Vacuum Gripper and the general operations regarding the whole life-cycle of the product, from installation to operation and decommissioning.

The drawings and photos in this manual are representative examples. However, discrepancies may be observed between the visual supports and the actual product.



## 2.1. Warning

### Caution

Any use of the Gripper in non-compliance with these warnings is deemed inappropriate and may cause injury or damage.

### Warning

- Always use the suction cup system and its components (air nodes, port plug, etc.) with the Robotiq Vacuum Gripper only.
- Never operate the Vacuum Gripper with leaking or worn parts.
- The Vacuum Gripper needs to be properly secured before operating the robot.
- Do not install or operate a Gripper that is damaged or lacking parts.
- Never supply the Gripper with an alternating current source.
- Make sure all cord sets are always secured at both ends—Gripper and robot.
- Always meet the recommended keying for electrical connections.
- Make sure no individuals or assets are in the vicinity of the robot and/or Gripper prior to initializing the robot.
- Always meet the Gripper's payload specifications.
- Set your vacuum level based on your application.
- Keep body parts and clothing away from the Gripper while the device is powered on.
- Do not use the Gripper on people or animals.
- Never stand under suspended loads held by the Vacuum Gripper.

### 2.1.1. Risk assessment and final application:

The Robotiq Vacuum Gripper is meant to be used on cobots and industrial robots.

The robot, the Gripper and any other equipment used in the final application must go through a comprehensive risk assessment process before they can be used. Special care must be taken during this step if custom mounting options are used for the suction cups.

### Caution

It is the robot integrator's responsibility to ensure that all local safety measures and regulations are met.

The following non-exhaustive list presents risks that must be assessed during the integration process:

- Risk of contact between body parts and suction cups during gripping;
- Risk of load ejection resulting from loss of vacuum;
- Risk of load dropping resulting from loss of vacuum;



- Risk of pinching between the Vacuum Gripper and the part(s) or the environment;
- Risk of damage or breaking if using a custom suction cup bracket that does not meet the technical requirements.

Depending on the application, there may be hazards that require additional protection and/or safety measures. For instance, the workpiece handled by the Gripper could be inherently dangerous to the operator.

### Warning

Depending on the supply sources, when an emergency stop (e-Stop) button is pressed, the following consequences may occur. The robot owner has the responsibility to do a risk assessment and choose the appropriate option.

Supply sources	e-Stop consequences
Robot tool supply (tool connector)	Power failure to the Vacuum Gripper. The vacuum level will drop to ambient pressure and the object will be lost.
Robot controller supply (Any 24V pin)	<p>Vacuum Gripper powered ON.</p> <ul style="list-style-type: none"> <li>• If an object is detected: the vacuum level will continue to be regulated and the object will not be lost.</li> <li>• If no object is detected: the Vacuum Gripper will go into a standby state 2 seconds after the e-Stop button is pressed.</li> </ul>

### Warning

Loss of vacuum can occur due to power failure.

## 2.2. Intended Use

The Gripper unit is designed for gripping and temporarily securing or holding objects.

### Caution

The Gripper is NOT intended for applying force against objects or surfaces.



The product is intended for installation on a robot or other automated machinery and equipment.

**Info**

Always comply with local, state, province and/or federal laws, regulation and directives regarding automation safety and general machine safety.

The unit should be used exclusively within the range of its technical data. Any other use of the product is deemed improper and unintended. Robotiq will not be liable for any damages resulting from any improper or unintended use.



## 3. Installation

The following subsections will guide you through the installation and general setup of your Robotiq Vacuum Gripper.

### Warning

Before installing:

- Read and understand the safety instructions related to the Vacuum Gripper.
- Verify your package according to the scope of delivery and your order.
- Make sure to have the required parts, equipment and tools listed in Scope of delivery.

### Warning

When installing:

- Meet the recommended environmental conditions.
- Do not operate the Vacuum Gripper, or even turn on the power supply, before the device is firmly anchored and the machine area is cleared. Make sure that the air supply is secured.

## 3.1. Scope of Delivery

### 3.1.1. Robotiq EPick Vacuum Gripper Kit

Standard upon delivery:

- **Single Suction Cup Kit**
  - One (1) electrical vacuum generator
  - Two (2) standard suction cups (two different sizes : Ø 40 mm and Ø 55 mm [one of each] ; 1.5 bellows)
  - One (1) End-effector coupling kit
  - One (1) USB stick
  - One (1) USB to RS485 signal converter
  - One (1) RS485 to RS232 Converter
  - One (1) 10-meter communication cable
  - Required hardware



- **Dual Suction Cup Kit**

- One (1) electrical vacuum generator (with one (1) suction cup : Ø 40 mm ; 1.5 bellows)
- One (1) suction cup system for 2 suction cups (one (1) manifold, one (1) bracket, one (1) tubing, two (2) air nodes)
- Four (4) standard suction cups (two different sizes : Ø 40 mm and Ø 55 mm [two of each] ; 1.5 bellows)
- Four (4) port plugs (two already mounted on the suction cup system)
- One (1) End-effector coupling kit
- 10-meter communication cable
- One (1) USB to RS485 signal converter
- Required hardware

- **Quad Suction Cup Kit**

- One (1) electrical vacuum generator (with one (1) suction cup : Ø 40 mm ; 1.5 bellows)
- One (1) suction cup system for 4 suction cups (one (1) manifold, one (1) bracket, one (1) tubing, four (4) air nodes)
- Eight (8) standard suction cups (two different sizes : Ø 40 mm and Ø 55 mm [four of each] ; 1.5 bellows)
- Four (4) port plugs
- One (1) End-effector coupling kit
- 10-meter communication cable
- One (1) USB to RS485 signal converter
- Required hardware

## 3.1.2. Universal Robots Wrist Connection Kit for CB-Series

### EPick Wrist Connect Kit for UR CB-Series /One (1) cup (VAC-CB-UR-EPICK-KIT1-W)

Included:

- 1 x Robotiq EPick Gripper
- 1 X I/O Coupling Kit (IO-CPL-UR-CB-KIT) including:
  - 1 x I/O Coupling
  - 1 x screw kit to install on the robot
  - 1 x Micro-USB to USB cable (CBL-MICRO-USB-6FT)
  - 1 x USB Stick (ACC-USB-16G)
- 1 x Suction cup





## EPick Wrist Connect Kit for UR CB-Series/ Two (2) cups (VAC-CB-UR-EPICK-KIT2-W)

Included:

- 1 x Robotiq EPick Gripper
- 1 X I/O Coupling Kit (IO-CPL-UR-CB-KIT) including:
  - 1 x I/O Coupling
  - 1 x screw kit to install on the robot
  - 1 x Micro-USB to USB cable (CBL-MICRO-USB-6FT)
  - 1 x USB Stick (ACC-USB-16G)
- 1 x Suction System for two (2) cups

## EPick Wrist Connect Kit for UR CB-Series / Four (4) cups (VAC-CB-UR-EPICK-KIT4-W)

Included:

- 1 x Robotiq EPick Gripper
- 1 X I/O Coupling Kit (IO-CPL-UR-CB-KIT) including:
  - 1 x I/O Coupling
  - 1 x screw kit to install on the robot
  - 1 x Micro-USB to USB cable (CBL-MICRO-USB-6FT)
  - 1 x USB Stick (ACC-USB-16G)
- 1 x Suction System for four (4) cups

### Info

Please refer to the **Spare Parts, Kits and Accessories** section for a list of available couplings.

### Caution

The following are not included in the standard delivery:

- Options such as custom suction cup brackets/plates or couplings for mounting on various industrial robots.
- Hardware required for accessories or fixtures, unless specified.

### Info

When purchased as a kit, the EPick Vacuum Gripper will come in a package with the appropriate coupling, suction cups and cabling. Please refer to the **Spare Parts, Kits and Accessories** section for additional components.



## 3.2. Required Tools and Equipment

### 3.2.1. EPick Gripper Add-On

The following tools are required to install the Vacuum Gripper:

- Hex key to mount the coupling onto the robot, according to your coupling
- 4 mm hex key to mount the Vacuum Gripper onto its standard coupling or the I/O Coupling.

### 3.2.2. Suction cup system

The following tool is required to install the Suction cup system on the Vacuum Gripper:

- 4 mm hex key to assemble together the suction cup system and the vacuum generator.

## 3.3. Environmental and Operating Conditions

CONDITION	VALUE
Minimum storage/transit temperature	-30°C [-22°F]
Maximum storage/transit temperature	60°C [140°F]
Minimum operating temperature	5°C [41°F]
Maximum operating temperature	40°C [104°F]
Humidity (non-condensing)	20-80% RH
IP Rating	IP 4X

Table 3-1: Environmental and operating conditions of the EPick Vacuum Gripper

#### Caution

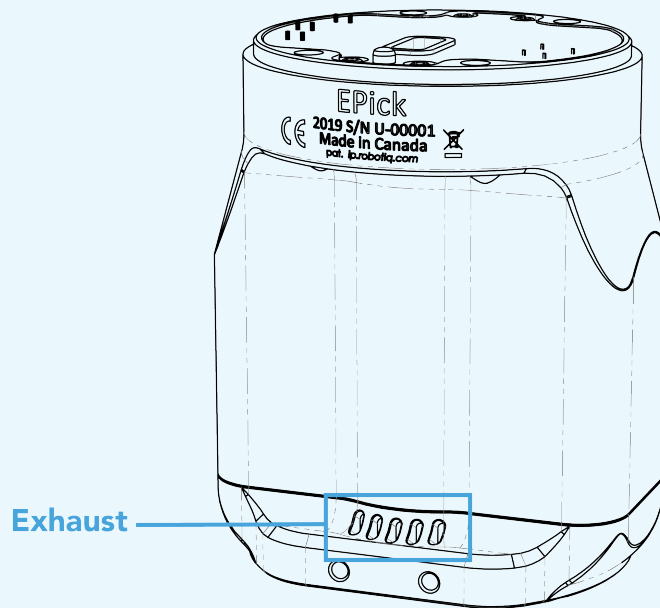
Use of the Vacuum Gripper is not recommended in presence of chemicals in the environment.



## Info

The input filter prevents any dust larger than 200  $\mu\text{m}$  from getting inside the pump. Dry dust will prevent the accumulation on filters or inside the pump. The use of suction cups with integrated filter can be used to reduce dust accumulation.

The exhaust must not be blocked.



## 3.4. Mechanical Installation

### 3.4.1. Installing the Vacuum Gripper onto the robot

#### Single Gripper

##### Installation with the Standard Coupling Kit

For purposes of power and communication, a coupling must be used to attach the Vacuum Gripper to the robot.

Here are the steps to follow to mount the Gripper on the robot arm (exploded view in figure below). Please note that all screws should be secured using medium strength threadlockers.

1. Mount the coupling on the robot wrist using the provided M6 screws and tooth lock washers. Align properly with the dowel pin. The dowel pin is meant to have a tight fit on the robot side and a slip fit on the effector side of the assembly.
2. Fasten the Gripper to the coupling using the provided M5 screws and tooth lock washers.
3. Plug the device cable into the gripper's pigtail and attach the cable along the robot arm using a cable routing system.



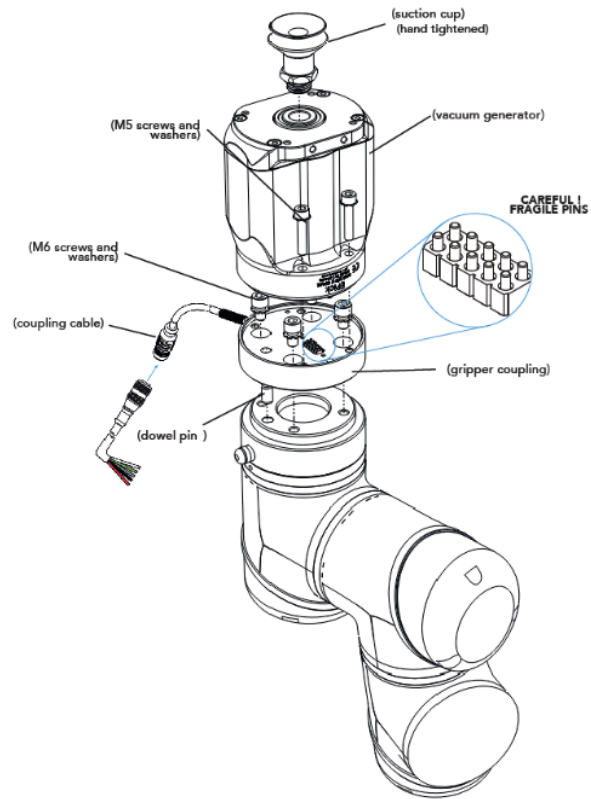


Fig. 3-1: Installing the Vacuum Gripper onto the robot wrist

## Multiple Vacuum Grippers

When installing multiple grippers on one robot, every Vacuum gripper must have its own coupling.

1. Install a mounting plate (not provided) first on the robot arm (AGC-APL-159-02).
2. Mount the gripper couplings on the mounting plate using the provided M6 X 10 mm screws.
3. Mount the grippers onto their coupling using the provided M5 X 35 mm screws.



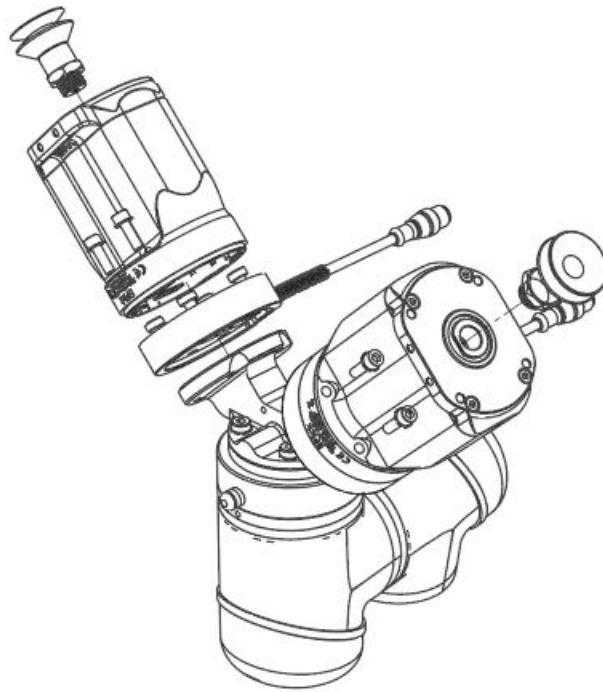


Fig. 3-2: Exploded view of a dual Vacuum Gripper setup

## Installation with the UR Wrist Connection Kit for CB-Series (I/O Coupling)

### General presentation & Nomenclature of the I/O Coupling

The Robotiq I/O Coupling is a robotic peripheral designed to allow a direct connection of the Robotiq Grippers to the Universal Robots CB-Series tool flange. It removes the need of any cable management and avoids downtime caused by cable issues. Depending on the robot tool I/Os, the I/O Coupling will send the selected presets to the Robotiq Vacuum Gripper to allow its full programming.



Fig. 3-3: Robotiq I/O Coupling

The status LED, integrated in the micro-USB port presented in the figure above, will be:

- **Solid blue/red** when booting
- **Solid red** when looking for product or waiting for communication



- **Solid blue** when powered with no errors (while communication is active)
- **Solid green** when communicating with USB

The I/O Coupling comes with four (4) factory presets, as shown in the table below. These four (4) presets can be reconfigured on a computer before using them on a robot.

#### Info

To configure the presets, please follow the instructions in the Robotiq User Interface (RUI) manual, available on [support.robotiq.com](https://support.robotiq.com).

Preset 1	Preset 2	Preset 3	Preset 4
Grip in Auto mode	Continuous grip	Min: 10 Max: 20	Release in Auto mode

Table 3-2: Factory presets for Vacuum Grippers

## Safety

### Warning

When changing the Vacuum Gripper, it is important to follow the steps in order:

1. Unplug the I/O Coupling cable.
2. Remove the Gripper with the 4mm hex key.
3. Install the new Vacuum Gripper with the required tools.
4. Plug the I/O Coupling cable in the robot tool connector.

## Mechanical Installation

### Mounting the I/O Coupling

1. Insert the provided dowel pin into the tool flange. The dowel pin is meant to have a tight fit on the robot side and a slip fit on the effector side of the assembly.
2. Mount the I/O Coupling on the robot tool flange. Align it properly with the dowel pin.
3. Use the provided M6 screws, the M6 toothlock washers and the 4mm hex key to secure the I/O Coupling installation.

### Mounting the Vacuum Gripper onto the I/O Coupling

1. Fasten the Vacuum Gripper onto the I/O Coupling using the M5 screws and toothlock washers of the Gripper.

### Caution

Be careful with the fragile pins while installing the Vacuum Gripper onto the I/O Coupling. Any abrupt movement can damage the pins and lead to product malfunction.



2. Plug the I/O Coupling connector into the robot tool flange connector.

#### Caution

Make sure to close the silicone door of the I/O coupling micro-USB port to prevent any dust or liquid infiltration.

3. Make sure the voltage is set at 24V to operate the Gripper:
  - i. Select the **I/O Tab**.
  - ii. On the bottom right corner of the page, select **Robotiq\_Wrist\_Connection** in the *Controlled by* drop down menu.
  - iii. Make sure to save in the **Installation Tab**.

### Firmware Update

#### Warning

A Gripper firmware update may be required to use your Vacuum Gripper with the I/O Coupling. Make sure you have the **GU1-2.0.2** version installed, or higher.

1. Connect the Vacuum Gripper to your computer via the I/O Coupling using the USB cable.
2. Run the Robotiq User Interface (RUI) to update the firmware.

You can now use your Gripper with the four (4) factory presets on the I/O Coupling. You can also program and save your own presets by connecting the I/O Coupling to your PC using the USB cable. To do so, refer to the Robotiq User Interface Manual available at [robotiq.com/support](https://robotiq.com/support).



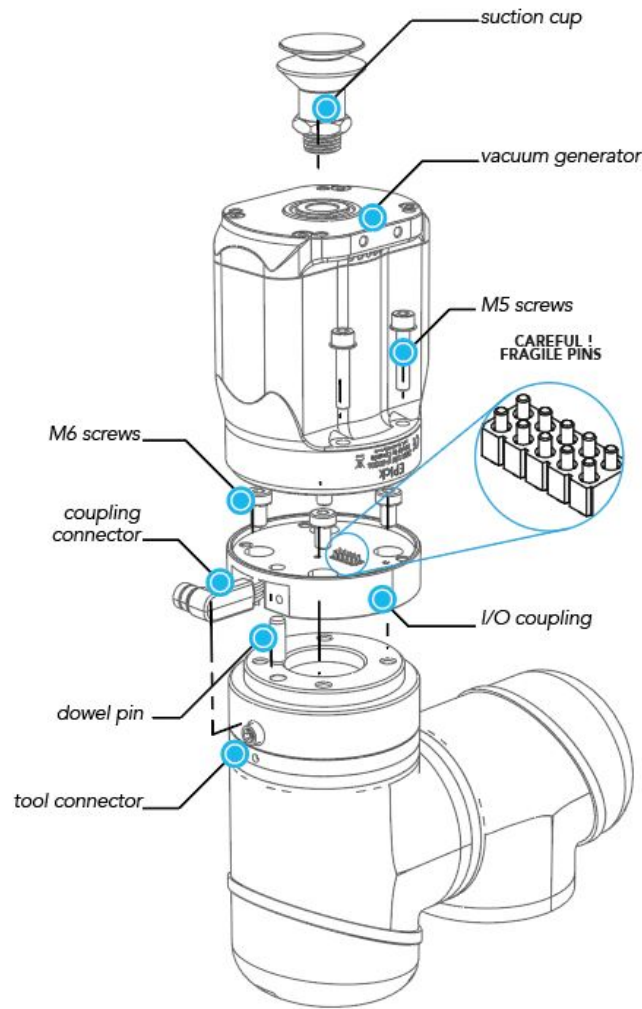


Fig. 3-4: Mechanical installation of the I/O Coupling and the Vacuum Gripper

## 3.4.2. Air tubing

### Connection of the suction cup systems

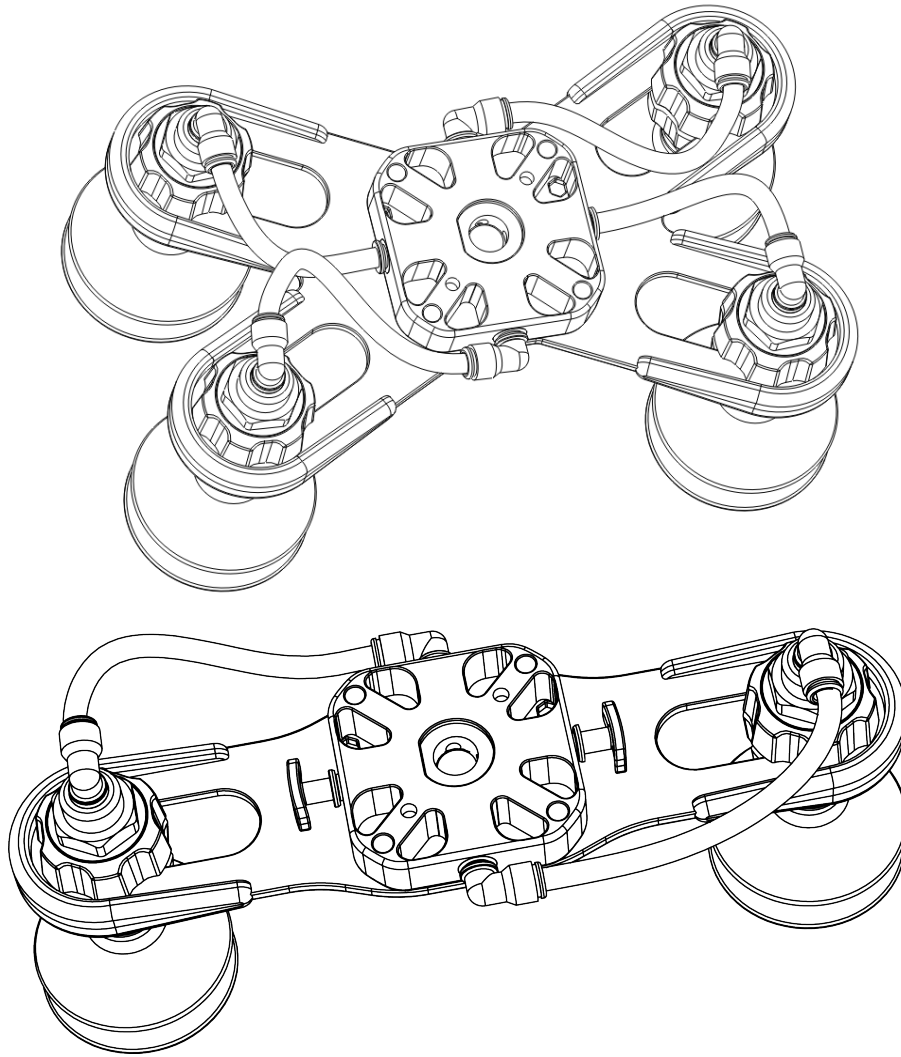
To ensure vacuum distribution to the suction cups, connect the appropriate manifold ports with the pertaining air nodes using the provided plastic tubing.

#### Info

To facilitate the assembly of the Robotiq Wrist Camera on the suction cup system, make sure to place the tubing as shown in the figure to be assured that there will be no interference with the camera's field of view while preventing excessive tube bending.







*Fig. 3-5: Air tubes alignment*

### 3.4.3. Suction cup system

#### Manifold and mounting bracket

In order to use the two (2) or the four (4) Suction Cups System, assemble the vacuum generator to the suction cup system, as shown in the figure below, using four (4) M5 socket head cap screws and four (4) M5 toothlock washers.

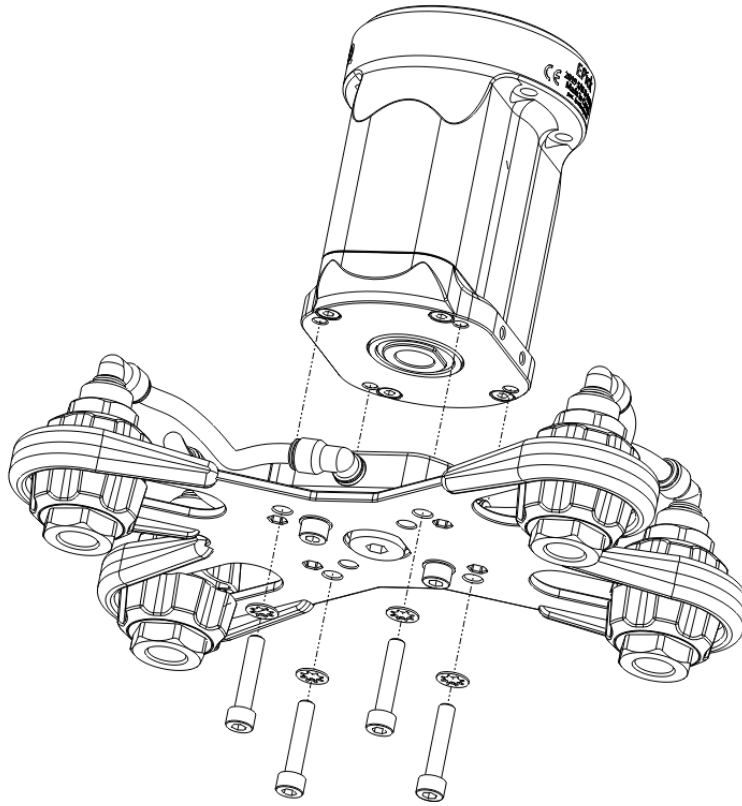


Fig. 3-6: Mounting example of the four suction cups assembly on the vacuum generator

### Warning

Any unused manifold port should be covered with a provided port plug to avoid air leakage. For more details, please refer to the **Manifold** section

## Suction cups and air nodes

Whether you are using a standard or custom option, air nodes should be used to connect the suction cups and the air tubing, and to prevent air leakage as much as possible. Air nodes are easy to assemble, as shown in the figures below.

1. Screw by hand each provided suction cup to an air bolt.

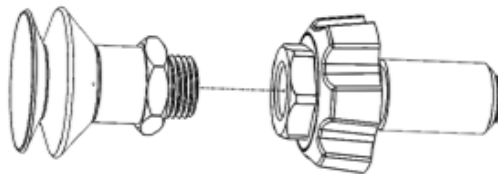


Fig. 3-7: Screwing a suction cup and an air bolt

2. Pass each air bolt through the mounting bracket, adjust the position of the node along the bracket side, align with mating air nuts and tighten node by hand.



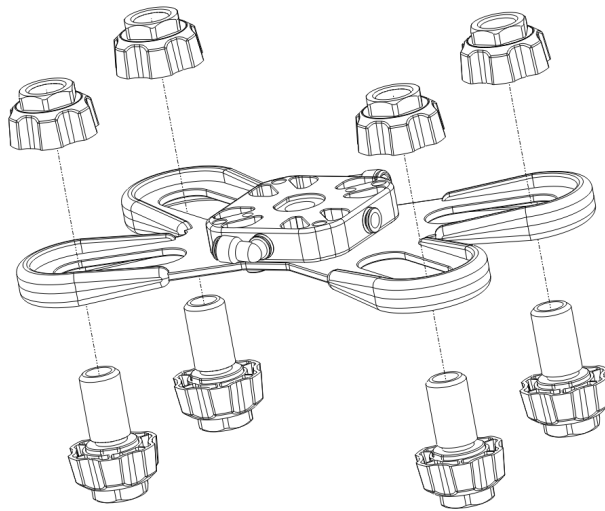


Fig. 3-8: Mounting air nodes (suction cups, air bolts, air nuts) on the bracket

## 3.5. Electrical Setup

Power and communication are established with the Gripper via a single device cable. The device cable provides a 24 V power supply and enables serial RS-485 communication to the robot controller.

### Info

RS-485 signals (485+, 485- and 485 GND) are isolated from the main 24 V power supply. GND can be connected to any other ground reference as long as the voltage potential between the grounds does not exceed 250 V. Grounding reference is at the user's discretion.

### 3.5.1. Electrostatic Discharge Safety

The EPick Vacuum Gripper is not ESD safe. If the Vacuum Gripper is installed properly using the toothlock washers, the casing is grounded through the screws that are used to mount the gripper on the coupling. The same thing is true for the coupling. For the EPick Vacuum Gripper, the lower part connected by 4 screws to the casing, as well as the suction cups and the accessories provide, are isolated from the rest of the gripper. Therefore, it is not possible to safely discharge any electrostatic charge that would build up on the part through the gripper.

### 3.5.2. Pinout interface

The Gripper interfaces with its coupling via a 10-spring pin connector located on its outer surface.

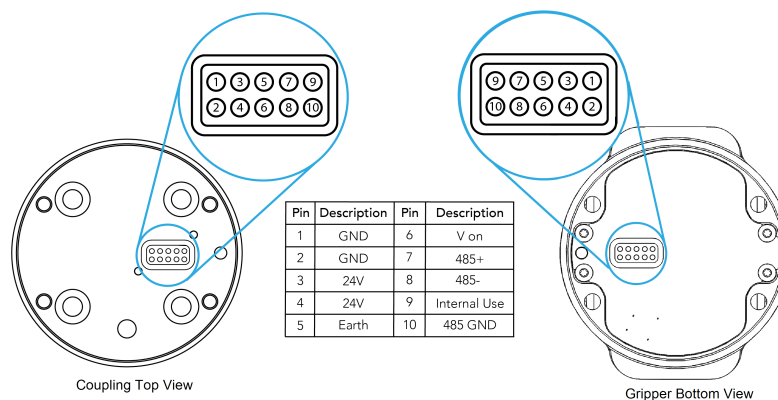


Fig. 3-9: Pinout of the EPick cable-to-wrist coupling.



**Info**

The coupling used in the figure above is used for reference only and corresponds to bolt pattern ISO 9409-1-50-4-M6.

**3.5.3. Coupling to controller**

An optional Robotiq Universal Controller may be used between the Gripper and the network/robot controller if fieldbus communication is required.

If a Robotiq Universal Controller is used, please refer to the instruction manual of the Robotiq Universal Controller. The figure below represents the wiring scheme of the Vacuum Gripper with device cable, power supply, fuse (refer to the **Required Tools and Equipment** section) and grounding.

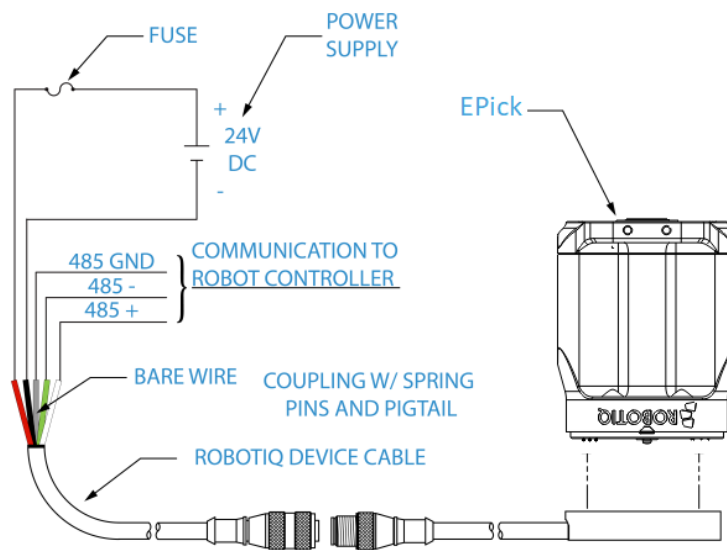


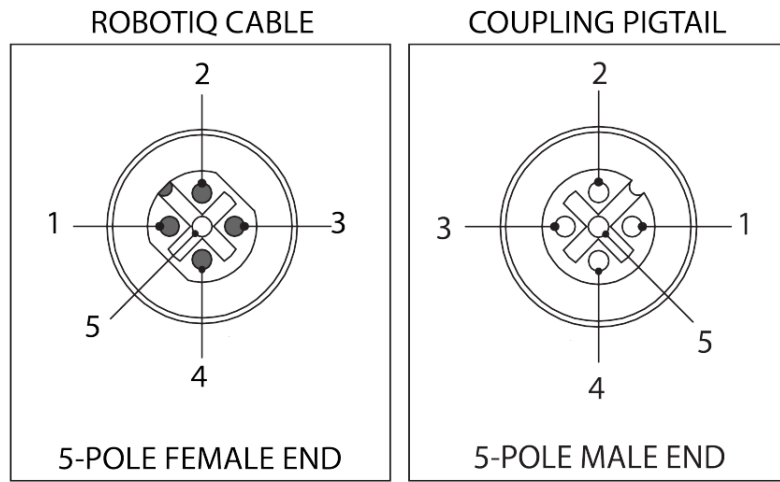
Fig. 3-10: Robotiq Vacuum Gripper with pigtail cable and device cable wiring scheme.

**Caution**

Use proper cabling management. Make sure to leave enough slack in the cabling to allow movement of the Gripper along all axes without pulling out the connectors. Always protect the controller side (robot side) connector of the cable with a strain relief cable clamp.

The figure below illustrates the Vacuum Gripper pigtail connector from the coupling (GRP-CPL-062 or AGC-CPL-XXX-002), the device cable on the robot side (CBL-COM-2065-10-HF) and their associated pinout.





PIN	END OF CABLE COLOR	SIGNAL
1.	(SHIELD)	RS485 GND
2.	RED	24 V
3.	BLACK	GND
4.	WHITE	RS485 +
5.	GREEN	RS485 -

Fig. 3-11: Pinout of the Vacuum Gripper pigtail and device cable

If additional cables are used, suggested cable specifications are:

#### Power supply, fusing

- Minimum #22 AWG TEW, 300 V or 600 V

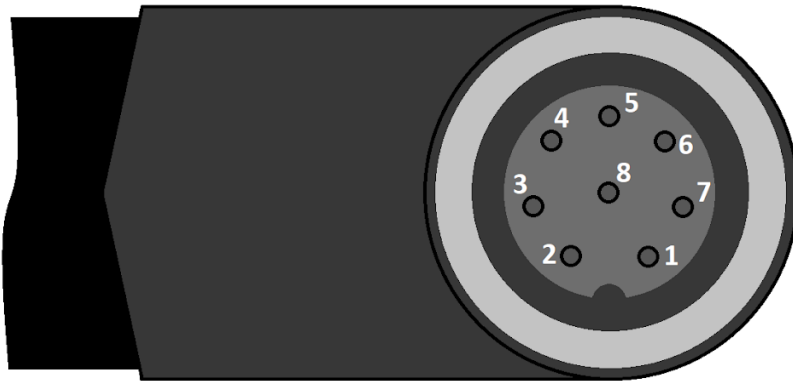
#### RS485 signal

- Minimum #24 AWG TEW, 300 V or 600 V
- A and B signals must be balanced at 120 Ohms



### 3.5.4. Coupling to tool connector

M8 right angle 8  
Position Receptacle  
Female pins



FRONT VIEW OF CONNECTOR

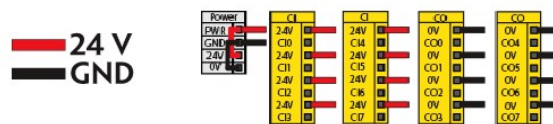
Pin #	Function
1	Not connected
2	Not connected
3	Digital output 1
4	Digital output 0
5	24V
6	Digital input 1
7	Digital input 0
8	0V

Fig. 3-12: Pinout of the I/O Coupling

### Single Vacuum Gripper

Prior to any software installation on Universal Robots, connect the white, blue and bare wires to the Robotiq RS-485 signal converter (ACC-ADT-RS485-USB) as shown in the figure below. Also connect the red (24V) and black (0V) wires in the terminal blocks of the robot controller.

POWER SUPPLY WIRING  
(ACCORDING TO UR CONTROLLER MODEL)



COMMUNICATION WIRING

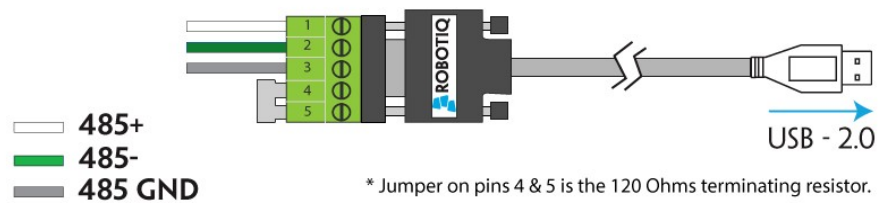


Fig. 3-13: Vacuum Gripper wiring to robot controller.



## Multiple Vacuum Grippers

It is possible to connect multiple grippers on the same robot. Only one RS485 to RS232 converter (ACC-ADT-RS232-RS485) must be used. Use M12 splitters (ACC-SPLIT-M12-2:1) to connect all the grippers pigtails to one 10 m cable (CBL-COM-2065-10-HF) that connects to the RS485 to RS232 converter.

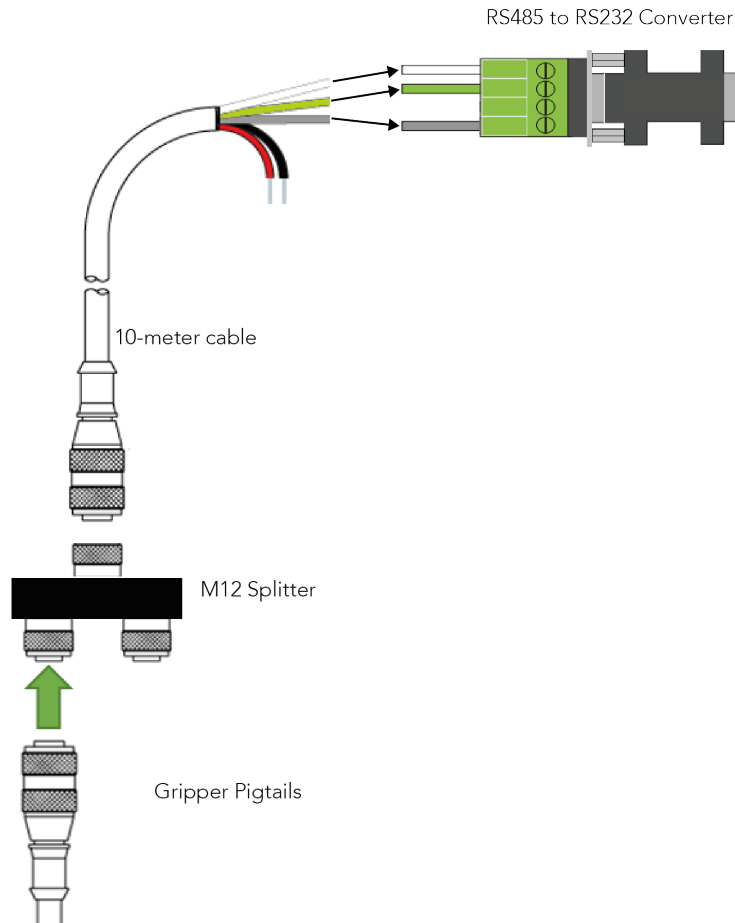


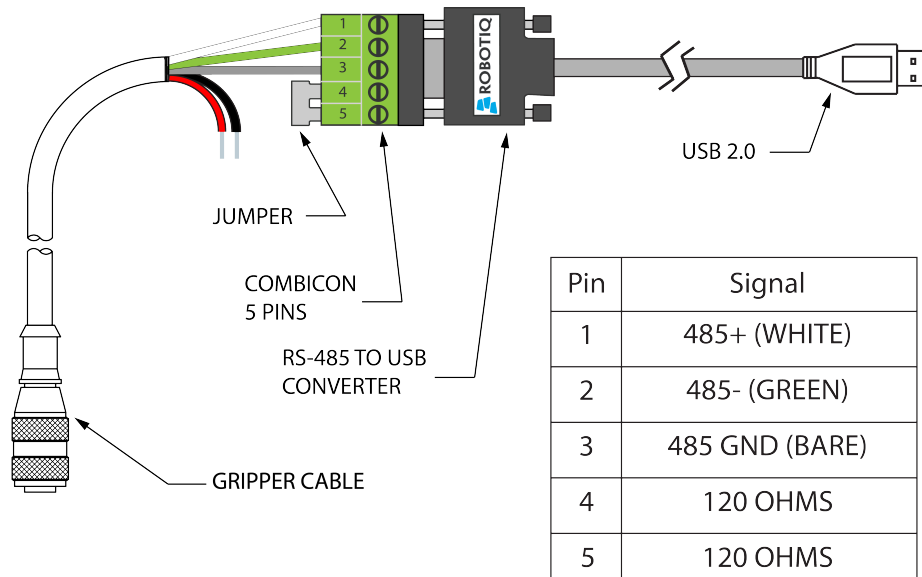
Fig. 3-14: Multiple grippers wiring

## 3.6. Testing the Gripper with the Robotiq User Interface (RUI)

Once installed and properly secured, your Robotiq Vacuum Gripper should be tested with the Robotiq User Interface test software using the provided USB converter. To do so :

1. Follow the instructions to install the Robotiq User Interface, or RUI (refer to the instruction manual of the RUI available on the [support website](#)).  
Use the provided RS-485 to USB converter ACC-ADT-USB-RS485 (refer to the figure below) to plug into a PC with the Robotiq User Interface installed.
2. Power up your Gripper with the previously recommended power supply.
3. Execute the RUI software and select "auto-connect" on the connection screen.
4. You are now connected to your Gripper; you can click "activate" to begin using the Gripper.





\*24 V AND GND ARE NOT SUPPLIED VIA USB

\*120 Ohms resistance JUMPER BETWEEN PINS 4 AND 5

Fig. 3-15: Wiring possibilities of the USB to RS-485 converter.

## 3.7. Installation for Universal Robots

The table below shows which Robotiq software to use with your Universal Robots' controller. Please refer to the URCap Package section for the installation of the UR software package for the Vacuum Gripper.

Robotiq Software	CB3.1 Controller	e-Series Controller
Robotiq Grippers URCap Package 1.5.1 and earlier versions	Incompatible	Incompatible
Robotiq Grippers URCap Package 1.6.0 and later versions	Compatible	Compatible

Table 3-3: Compatibility between Robotiq software and the robot controller

### Caution

The robot's PolyScope version must be 3.10 and later in order to install the URCap package.

### Caution

Prior to use over Universal Robots, adjust the payload and the center of gravity in the Installation tab. Refer to the Mechanical specifications subsections.

### Caution

Please refer to the Installing URCap Package section to configure the Gripper properly before operating and programming the device.





## 3.8. URCap Package

Robotiq provides the user with a Universal Robots URCap package that provides a graphical user interface and enables direct serial communication to your UR controller.

### Info

Browse to the [Vacuum Gripper support page](#) to download the URCap package.

Make sure the Gripper is properly mounted onto the robot arm. Refer to the **Mechanical Installation** section for detailed information.

Before proceeding with the installation of the URCap package, make sure your Universal Robots controller is compatible with the package (refer to the **Installation for Universal Robots** section).

The Vacuum Gripper's URCap package contains:

- The URCap for the Gripper
- The Vacuum Gripper toolbar
- The Vacuum node(s)

For details on controlling the Gripper, please refer to the **Software** section.

### Info

Please refer to the **Control over Universal Robots with URCap** section for detailed information on how to program using the URCap package.



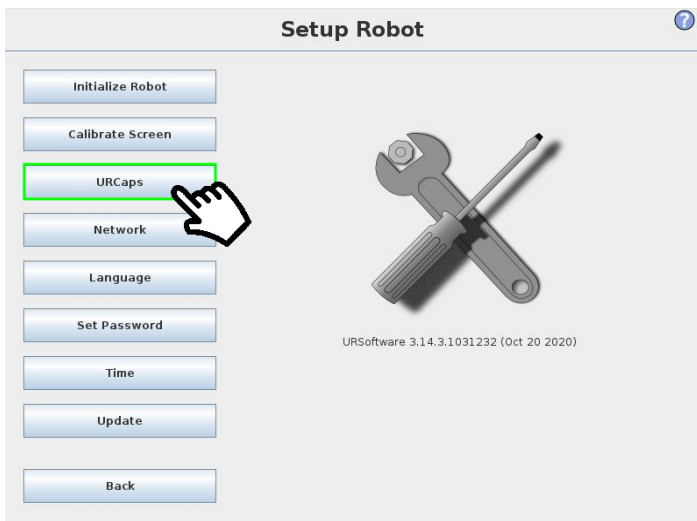
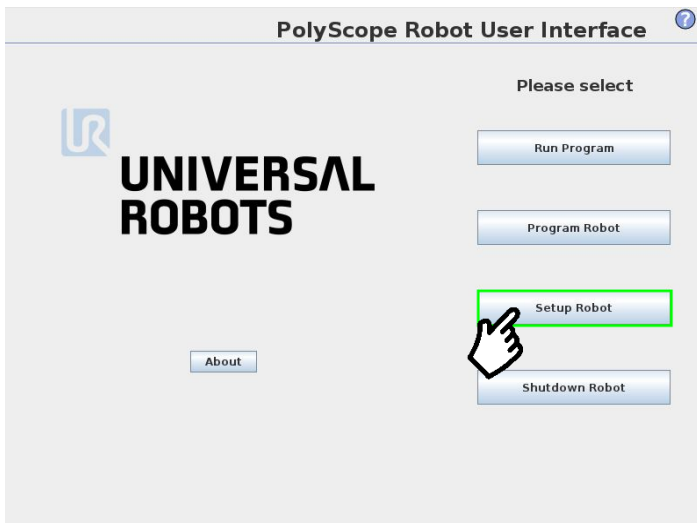
## 3.8.1. Installing URCap package on CB-Series

### Single Gripper

Make sure the Gripper is properly mounted to the robot arm. Refer to the **Mechanical Installation** section for detailed information.

Before proceeding with the installation of the URCap package, make sure your Universal Robots controller is compatible with the package (refer to the Installation for Universal Robots subsection).

Follow this procedure to install the Vacuum Gripper URCap package:

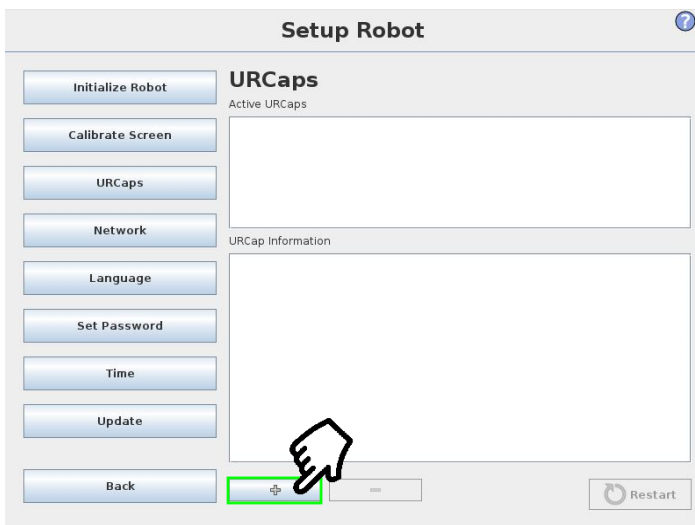


- Make sure that your PolyScope version is up-to-date and that your Universal Robots controller is compatible with the Gripper's URCap package.
- Go to [support.robotiq.com](https://support.robotiq.com), and select the Universal Robots brand.
- Select EPick .
- Click on Software → Gripper Software
- Download the **UCG-X.X.X** and extract it on the root of a blank USB stick.
- To install the I/O Coupling URCap, download the **UCH-X.X.X** in the I/O Coupling Software tab and extract on the root of a blank USB stick.
- Insert the USB stick in the UR teach pendant or controller.
- Go to **Setup Robot**.
- Tap **URCaps**.

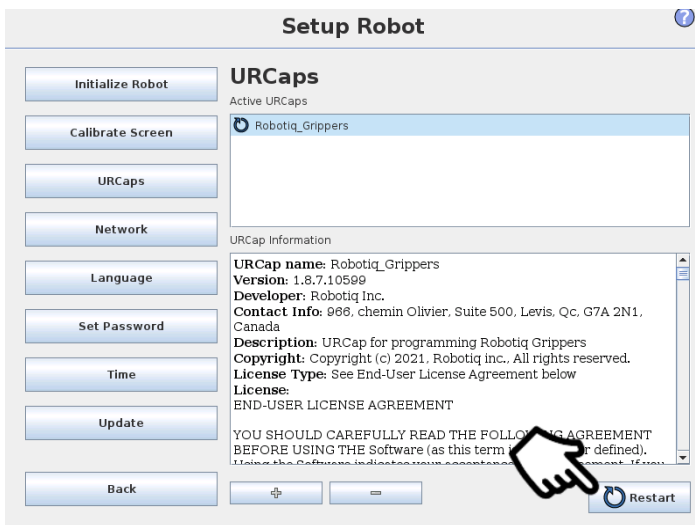
#### Tip

In PolyScope, go to the Home page and tap the **About** button. A window containing the Universal Robots software version will pop up.

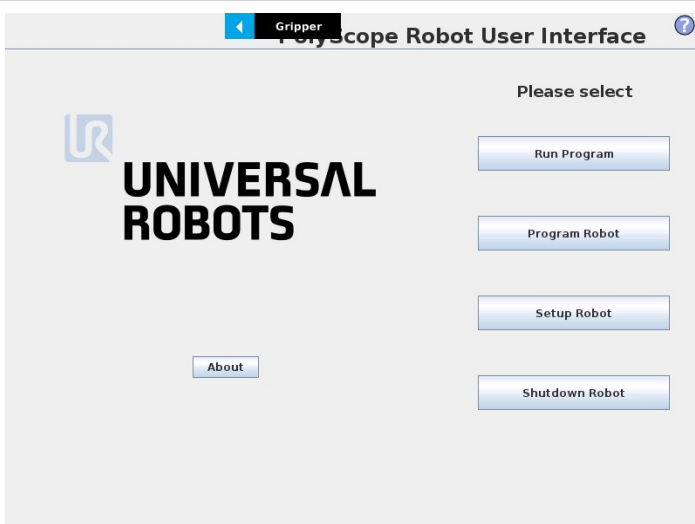




- Tap the plus button (+) to add the Gripper's URCap package.
- Open Robotiq\_Grippers-X.X.X.urcap.



- Restart PolyScope to complete the URCap installation. By doing so, you accept the License Agreement that is detailed in the URCap Information text box (see below for the License Agreement).



- When PolyScope reopens, the Gripper toolbar will appear on the screen.



## Multiple Grippers

It is possible to connect and control up to four Vacuum grippers on the same UR robot. Only one RS485 to USB converter (ACC-ADT-USB-RS485) must be used. Use M12 splitters (ACC-SPLIT-M12-2:1) to connect all the grippers pigtails to one 10m cable (CBL-COM-2065-10-HF) that connects to the RS485 to USB converter.

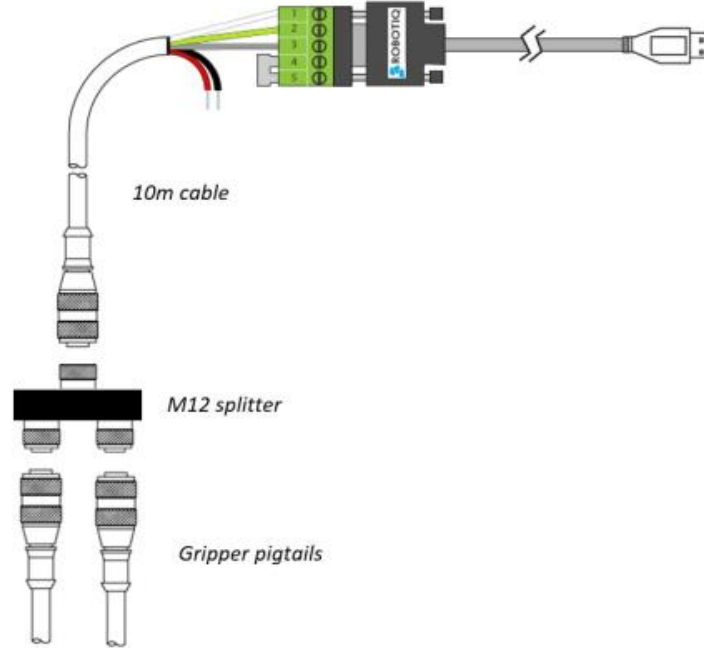
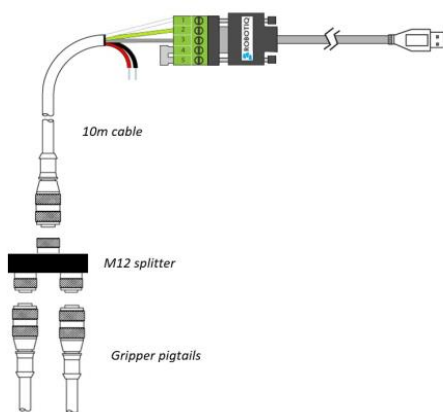


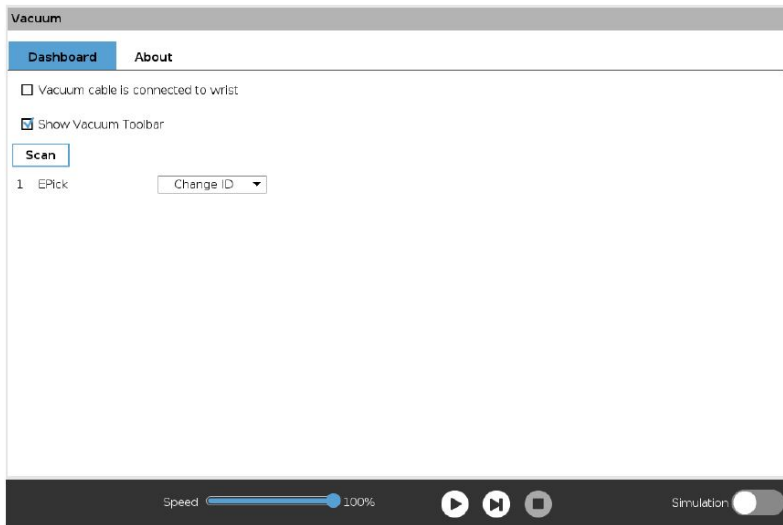
Fig. 3-16: Multiple Grippers wiring on CB-Series Universal Robots

When installing multiple grippers on one UR robot, their gripper ID must be set properly. To do so, perform the following steps for each gripper:

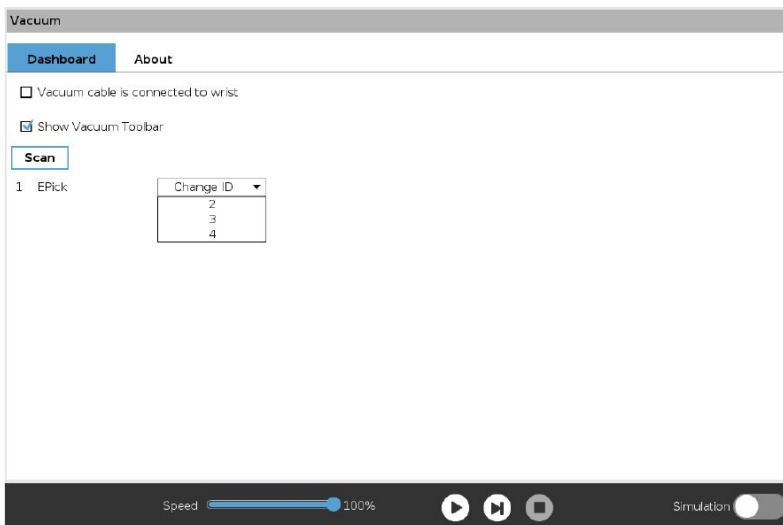


- Connect only one Vacuum Gripper at a time using the M12 splitter.





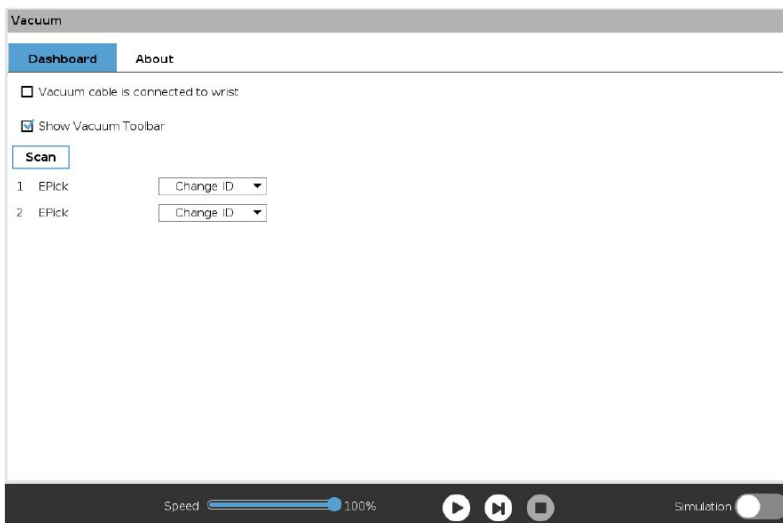
- From the PolyScope home page, go to **Program Robot** and then tap the **Installation** tab.
- Tap on **Vacuum Gripper**.
- Select the **Dashboard** menu.
- Tap the **Scan** button to detect Vacuum Grippers.



- Change the Vacuum Gripper ID to the desired one.
- Make sure it is different from the other Gripper IDs.
- Vacuum Gripper ID is saved to the Vacuum Gripper's internal memory. ID will be kept at all time.
- Click on Activate to activate the Vacuum Gripper.
- Perform the same routine for all grippers, if applicable, connecting only one at a time.

#### Caution

Make sure all Vacuum Grippers have different IDs. With their factory settings, all grippers have Gripper ID set to 1. If you have more than one gripper connected with the same ID, communication issues will arise.

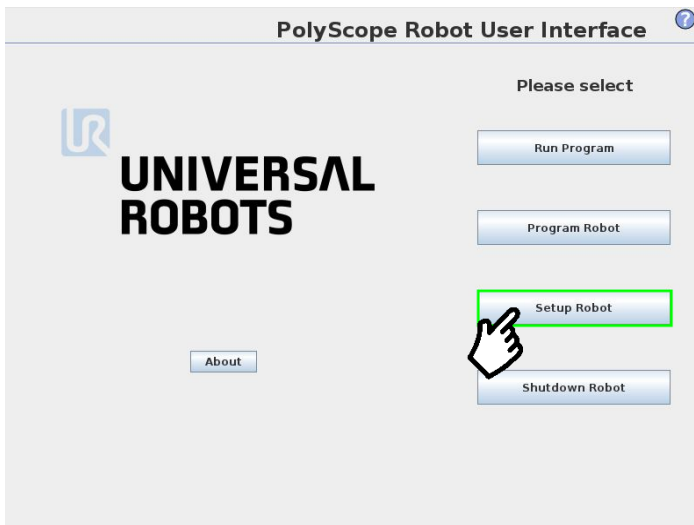


- Once all grippers IDs have been set, connect them all to the M12 splitter.
- Go back to the **Dashboard** tab and confirm that all grippers are recognized and can be controlled.

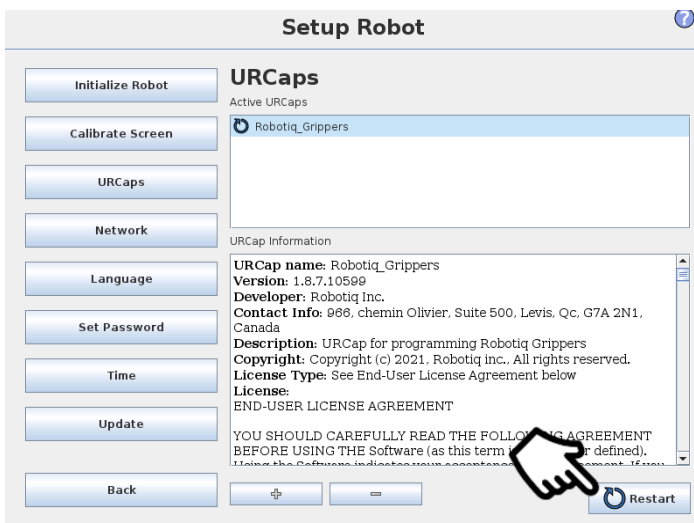
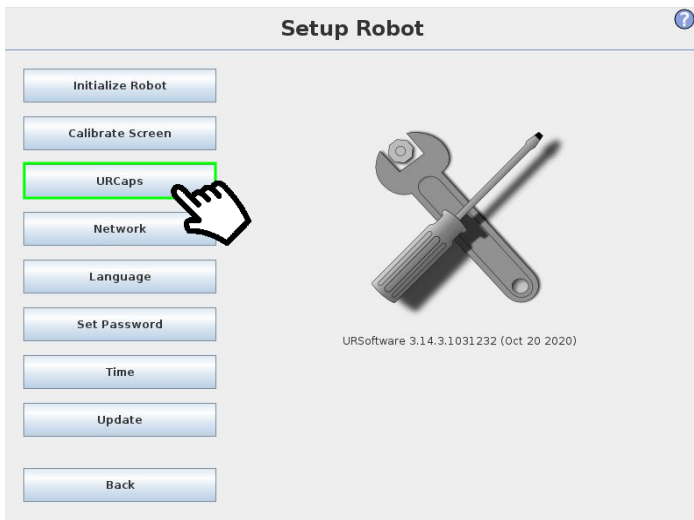


## 3.8.2. Uninstalling URCap Package

If you want to uninstall the Vacuum Gripper URCap, follow the procedure below:



- Go to Setup Robot.
- Tap URCaps.



- In the Active URCaps box, tap the URCap to uninstall.
- Tap the minus (-) button to uninstall the URCap.
- Restart PolyScope to complete the uninstallation process.



### 3.8.3. License Agreement

#### END-USER LICENSE AGREEMENT

YOU SHOULD CAREFULLY READ THE FOLLOWING AGREEMENT BEFORE USING THE Software (as this term is hereinafter defined). Using the Software indicates your acceptance of the agreement. If you do not agree with it, you are not authorized to use the Software.

**IMPORTANT-READ CAREFULLY:** This End-User License Agreement (the "Agreement") is a legal agreement between you and the Licensor (as this term is hereinafter defined), the licensor of the Software. This Agreement covers the Software. The Software includes any "on-line" or electronic documentation and all modifications and upgrades related thereto. By installing, or otherwise using the Software, you agree to be bound by the terms of this Agreement. If you do not agree to the terms of this Agreement, the Licensor cannot and does not license the Software to you. In such event, you must not use or install the Software.

#### 1. Definition.

1. "UR" means Universal Robots A/S, a corporation incorporated under the laws of Denmark, having its registered office at Energivej 25, DK-5260 Odense S, which specializes into the conception, advanced manufacturing and sale of robotic products (the "UR's Business");
2. "Software" means any of the Licensor's softwares provided to its customers for the purposes mentioned in Sub-section 1.4 hereof including their modifications and upgrades and their related materials;
3. "Licensor" means Robotiq inc., a corporation incorporated under the laws of Quebec, having its registered office at 500-966 chemin Olivier, Lévis, Québec, Canada, G7A 2N1, which specializes into the conception, advanced manufacturing and sale of robotic products (the "Licensor's Business");
4. "End-User" means a customer authorized pursuant to this Agreement to install or use the Software in order to make a specific product from the Licensor's Products compatible and functional with a specific product of the UR's Product ;
5. "Licensor's Products" means those products developed by the Licensor in the course of the Licensor's Business;
6. "UR's Products" means those products developed by UR in the course of the UR's Business;
7. "Licensor's Authorized Representatives" means and includes the Licensor and Licensor's authorized vendors, resellers, distributors and licensors;
8. "Purchase Agreement" means an agreement between the End-User and the Licensor pursuant to which the End-User purchased one or more of the Licensor's Products.

2. License. Subject to the terms and conditions hereof, the Licensor grants to the End-User a personal, temporary, non-exclusive, non-assignable and non-transferable and revocable license to use the Software in accordance with the terms and conditions hereof.

3. Software and Documentation. The Licensor may provide, if applicable, all documentation containing the detailed specifications for operation and use of the Software, which Software shall be used in accordance with such documentation. This documentation, if applicable, will be provided, wholly or in part, within (i) this Agreement, (ii) the Licensor's Web site <http://robotiq.com/> (iii) the Licensor's Products and the Purchase Agreement therewith, or (iv) any other agreement, document, support, whatsoever decided by the Licensor.

The use of the Software requires the Licensor's Products, UR's Products , compatible systems and certain software (which may require some expenses), may require periodical updating and may be affected by such elements. Most equipment will be compatible with the Software. However, the Software may not function on certain types of equipment.

4. Modifications and Upgrades. The Licensor shall be under no obligation to provide any upgrade or modification to the Software. However, the End-User shall be entitled to receive free of charge all modifications and upgrades of the Software provided by the Licensor if, at such time, the End-User is not in default in respect of any of its obligation contained herein.



Such modifications and upgrades of the Software shall be installed by the End-User itself by consulting the Licensor's Website <http://robotiq.com/> where a link to proceed to such installation will be made available thereof. A new version of the Software shall not be covered by this Section 4 but shall require that a new End-User Software License Agreement be entered into between the Licensor and the End-User.

5. Fees. The grant by Licensor to the End-User of the present license shall be free to the extent that the End-User agrees and complies to the term and conditions herein at all time.
6. Maintenance. During the term of this Agreement, the Licensor will maintain the Software in an operable condition and will make available any corrections and improvements as are generally incorporated in the Software by the Licensor without additional charge to the End-User. The Licensor may temporarily and without notice suspend or limit access to the Software if necessary or desirable in order to maintain, restore, modify or repair any part of the Software or for any reason related to business. During such works, the Software will not be available but the Licensor undertakes to deploy its best efforts to perform such works at appropriate times and to limit any inconvenience arising therefrom.
7. Title to Software. The licensed Software is composed of confidential data and trade secrets and is proprietary to and constitutes trade secret information and intellectual property of the Licensor. Title and ownership rights to the Software, including the intellectual property rights related thereto, shall remain with the Licensor. The End-User agrees to maintain the confidential nature of the Software and related materials provided for the End-User's own internal use under this Agreement. The license granted herein does not include the right to sublicense to others, and may not be assigned to others, in whole or in part, without the prior written consent of the Licensor. The End-User may not or allow others to modify or prepare derivative works, copy (except for normal backups for recovery purposes), reproduce, republish, reverse engineer, upload, post, transmit, or distribute, in any manner, the Software.
8. Restricted Use. The Software shall be used solely and exclusively by the End-User and its employees for the purpose mentioned in Sub-section 1.4 hereof. Any other use of the Software, including resell derivative modifications or extensions, is expressly prohibited.
9. Exclusion of Warranty on Software. The End-User expressly acknowledges and agrees that use of the Software is at the End-User sole risk. The Software is provided "AS IS" and without warranty of any kind. THE LICENSOR AND THE LICENSOR'S AUTHORIZED REPRESENTATIVES DO NOT WARRANT THAT Software WILL BE FREE OF ERRORS AND YOU ACKNOWLEDGE THAT THE EXISTENCE OF ANY SUCH ERRORS DOES NOT CONSTITUTE A BREACH OF THIS AGREEMENT. TO THE EXTENT PERMITTED BY LAW LICENSOR AND LICENSOR'S AUTHORIZED REPRESENTATIVES EXPRESSLY DISCLAIM ALL WARRANTIES, EXPRESS OR IMPLIED, INCLUDING , BUT NOT LIMITED TO, THE IMPLIED WARRANTIES OF MERCHANTABILITY AND FITNESS FOR A PARTICULAR PURPOSE UNLESS OTHERWISE STATED HEREIN. LICENSOR AND LICENSOR'S AUTHORIZED REPRESENTATIVES DO NOT WARRANT THAT THE FUNCTIONS CONTAINED IN THE Software WILL MEET THE END-USER REQUIREMENTS OR THAT THE OPERATION OF THE Software WILL BE CORRECT. FURTHERMORE, LICENSOR AND LICENSOR'S AUTHORIZED REPRESENTATIVES DO NOT WARRANT OR MAKE ANY REPRESENTATIONS REGARDING THE USE OR THE RESULTS OF THE USE OF THE Software IN TERMS OF ITS CORRECTNESS, ACCURACY, RELIABILITY, OR OTHERWISE. NO ORAL OR WRITTEN INFORMATION OR ADVICE GIVEN BY LICENSOR AND LICENSOR'S AUTHORIZED REPRESENTATIVE SHALL CREATE A WARRANTY OR IN ANY WAY INCREASE THE SCOPE OF THIS WARRANTY. SHOULD THE Software PROVE DEFECTIVE IN YOUR TECHNOLOGY ENVIRONMENT, YOU ASSUME THE ENTIRE COST OF ALL NECESSARY SERVICING, REPAIR OR CORRECTION TO YOUR OWN TECHNOLOGY ENVIRONMENT.
10. Limitation of liability. TO THE MAXIMUM EXTENT PERMITTED BY LAW, LICENSOR AND LICENSOR'S AUTHORIZED REPRESENTATIVES SHALL NOT BE LIABLE FOR ANY INCIDENTAL OR CONSEQUENTIAL DAMAGES FOR BREACH OF ANY EXPRESS OR IMPLIED WARRANTY, BREACH OF CONTRACT, NEGLIGENCE, STRICT LIABILITY OR ANY OTHER LEGAL THEORY RELATED TO THE Software. SUCH DAMAGES INCLUDE, BUT ARE NOT LIMITED TO, LOSS OF PROFITS, LOSS OF REVENUE, LOSS OF DATA, LOSS OF USE OF THE PRODUCT OR ANY ASSOCIATED EQUIPMENT, DOWN TIME AND USER'S TIME, EVEN IF THE LICENSOR HAS BEEN ADVISED OF THE POSSIBILITY OF SUCH DAMAGES. IN ANY CASE, LICENSOR ENTIRE LIABILITY UNDER ANY PROVISION OF THIS AGREEMENT SHALL BE LIMITED TO THE AMOUNT ACTUALLY PAID IN RESPECT OF THE LICENSOR'S PRODUCTS PURCHASED BY THE END-USER PURSUANT TO A PURCHASE AGREEMENT.
11. Training, Maintenance and Support There is no entitlement to training, maintenance and support under this license unless otherwise specified in the Purchase Agreement or any other written agreement between the End-User and the Licensor. The End-User may provide the Licensor with details regarding any bug, defect or failure in the Software promptly and with no delay from such event; the End-User shall comply with the Licensor's request for information regarding bugs, defects or fail-





ures and furnish him with information, screenshots and try to reproduce such bugs, defects or failures upon Licensor's demand.

12. Expiration and Termination. The Licensor may terminate this Agreement for default by the End-User. This Agreement will also be automatically terminated upon the election of such by the Licensor or the official launch of the Software, whichever event comes first. Upon termination of this Agreement for any reason, the End-User shall promptly uninstall the Software on any UR's Products and Licensor's Products, computer, or server on which it has been installed, deliver to the Licensor all CDs, DVDs, magnetic tapes, cards, and other tangible items and materials embodying the Software, and return to the Licensor all copies thereof or destroy such copies and warrant in writing that all copies thereof have been destroyed. In the event of termination of this Agreement, all obligations of the parties under this Agreement due for performance on the date of termination shall survive the termination, and the party terminating shall not be liable to the other party for any damages arising out of the termination.
13. Miscellaneous.
  1. This Agreement constitutes the entire understanding and agreement between the Licensor and the End-User and replaces any prior agreement relating to the same subject matter.
  2. This Agreement shall be governed and construed in accordance with the laws of the province of Quebec and the federal laws of Canada applicable therein. Any legal action or proceeding between the Licensor and the End-User for any purpose concerning this Agreement or the parties' obligations hereunder shall be brought exclusively in a court of competent jurisdiction sitting in the judicial district of Trois-Rivières, Quebec.
  3. The Licensor's failure to insist upon or enforce strict performance of any provision of this Agreement shall not be construed as a waiver of any provision or right. Neither the course of conduct between the parties nor trade practice shall act to modify any provision of this Agreement.
  4. The Licensor may assign its rights and duties under this Agreement to any party at any time without notice to the End-User. The End-User may not assign this Agreement without the prior written consent of the Licensor.
  5. If any part of this Agreement is null, illegal or non-enforceable, this Agreement shall be interpreted as if this part was never part of this Agreement.
  6. The provisions of this Agreement are for the benefit of the Licensor and its officers, directors, employees, agents, licensors and suppliers. Each of these individuals or entities shall have the right to assert and enforce those provisions directly against the End-User on its own behalf. This Agreement is also for the benefit of, and binds, the End-User and its heirs, successors, legal representatives and permitted assigns.
  7. Any rights not expressly granted herein are reserved.
  8. The parties confirm that they have agreed that this Agreement and all related documents be drafted in English only. Les parties aux présentes confirment qu'elles ont accepté que la présente convention et tous les documents y afférents soient rédigés en anglais seulement.



## 4. Software

### Info

Unless specified, all units in this section are in hexadecimal values.

### Caution

Installation of the new firmware **GU1-2.0.2** version is mandatory to have the new Object Detection feature and all the updates.

### 4.1. Overview

#### Info

The operator can:

- Control the vacuum level (continuous vacuum when manual mode is set at 100%)
- Set the minimum vacuum level
- The automatic mode operation is set by default. The continuous operation mode can also be choose, when checked in the Advanced settings.
- Benefit from a security mode if air leakage is detected
- Benefit from energy saving with the automatic mode.
- Apply a timeout manually (ms) or benefit from an automatic timeout delay

#### 4.1.1. Control using registers

The Vacuum Gripper has an internal memory that is shared with the robot controller. One part of the memory is for robot output (Gripper functionalities). The other part of the memory is for robot input (Gripper status). Two types of actions can thus be performed by the robot controller:

1. Write in the robot output registers to activate functionalities;
2. Read in the robot input registers to get the status of the Gripper.

The **Vacuum Gripper register mapping** section will map the different registers used to control the Gripper or to read its status. The **Robot output registers & functionalities** section will detail the output (write) register functions. The **Robot input registers & status** section will detail the input (read) register status. The figure below is a representation of the memory and the control logic of the Gripper.



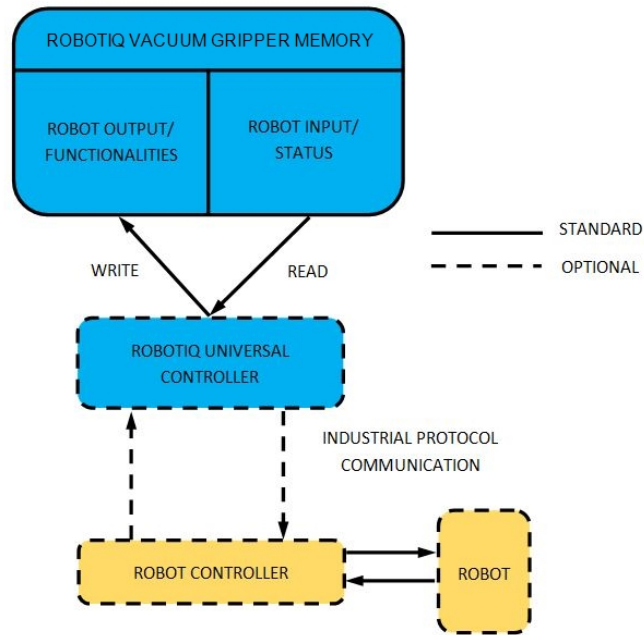


Fig. 4-1: Vacuum Gripper control logic overview

## 4.1.2. Control over Universal Robots package

Robotiq provides Universal Robots packages to be used with URCaps (require CB3.1 robot controller or later versions).

Please refer to the **Control over Universal Robots with URCap** section for instructions on how to use the Gripper URCap. This method will provide you with a Vacuum Gripper Toolbar to test and a Gripper node to program via the UR Command Window.



## 4.2. Vacuum Gripper register mapping

### Caution

Byte numbering starts at zero.

Register	Robot Output/Functionality	Robot Input/Status
Byte 0	ACTION REQUEST	GRIPPER STATUS
Byte 1	RESERVED	GRIPPER STATUS
Byte 2	RESERVED	FAULT STATUS
Byte 3	MAX RELATIVE PRESSURE LEVEL REQUEST	MAX RELATIVE PRESSURE LEVEL REQUEST ECHO
Byte 4	GRIP TIMEOUT / RELEASE DELAY	ACTUAL RELATIVE PRESSURE
Byte 5	MINIMUM RELATIVE PRESSURE LEVEL REQUEST	RESERVED
Byte 6 to 15	RESERVED	RESERVED

Table 4-1: Registers of the Vacuum Gripper

## 4.3. Robot output registers & functionalities

Register: ACTION REQUEST

Address: Byte 0

Bits	7	6	5	4	3	2	1	0
Symbols	Reserved			rATR	rGTO	rMOD		rACT



**rACT (Activate)**

The rACT bit allows the Gripper to be operational.

- 0b0 - Clear Gripper fault status.
- 0b1 - Gripper is operational. Must stay 0x01 at all time during normal operation of the gripper.

**rMOD Gripper mode**

The rMOD bits are used to select the gripping mode.

- 0b00 - Automatic mode. The gripper will automatically detect the proper vacuum level, timeout/delay and hysteresis.
- 0b01 - Advanced mode. The user can set the desired minimum and maximum vacuum level and the time-out.
- 0b10 - Reserved
- 0b11 - Reserved

**rGTO (Regulate)**

The rGTO bit allow gripper to follow the desired vacuum parameters.

- 0b0 - Stop the vacuum generator; valves are in position to hold the workpiece.
- 0b1 - Follow the requested vacuum parameters in real time. When timeout is reached, rGTO must be re-asserted (Set to 0b0 then to 0b1)

**rATR (Automatic release)**

The rATR bit is used to release the object to ambient pressure (if possible) without any timeout. The rATR bit overrides all other commands excluding the activation bit (rACT). rACT must be at 0b1 during this action.

- 0b0 - Normal operation
- 0b1 - Open the valves without any timeout. After an automatic release, rACT must be re-asserted (rACT=0b0 then rACT=0b1).

**Register: RESERVED**

Address: Byte 1

Bits	7	6	5	4	3	2	1	0
Symbols	Reserved							

**Register: RESERVED**

Address: Byte 2

Bits	7	6	5	4	3	2	1	0
Symbols	Reserved							



**Register: MAXIMUM VACUUM/PRESSURE REQUEST**

Address: Byte 3

Bits	7	6	5	4	3	2	1	0
Symbols	rPR							

**rPR ( Maximum Vacuum/Pressure request)**

This register is used in manual mode (rMOD=0x01) to set the target vacuum or pressure. It is used in automatic mode (rMOD=0x00) to give the grip and release command. In the Automatic mode, the target vacuum levels are automatically set.

$$rPR = 100 + P_{max}$$

Where:

P<sub>max</sub> is the target maximum differential pressure relative to ambient in KPa.

- 0x00 (0d0) - Continuous grip. Vacuum generator always ON.
- 0x16 (0d22) - Grip to 78% of vacuum (Maximum device vacuum).
- 0x5A (0d90) - Grip to 10% of vacuum (Minimum device vacuum).
- 0x64 (0d100) - Passive release. Releasing to ambient pressure.

Automatic mode:

- <0x64 (0d100) - Send a grip command
- ≥0x64 (0d100) - Send a release command

Example:

For a grip with 78% of vacuum level, use P<sub>max</sub> = -78 kPa in the formula.

For a release with 155 kPa of positive air, use P<sub>max</sub> = 155 kPa in the formula.

**Register: GRIP TIMEOUT / RELEASE TIME**

Address: Byte 4

Bits	7	6	5	4	3	2	1	0
Symbols	rSP							

**rSP (Action timeout)**

When gripping (rPR ≤ 0d99), this register is used to set the time window (each integer being 100 milliseconds) prior to a gripping error. The vacuum generator will stop after the timeout period. Only valid if rMOD=0x01.



- 0x00 (0d0) - No timeout.
- 0x0A (0d10) - 1 sec timeout period.
- 0xFF (0d255) - 25.5 sec timeout period.

When releasing ( $rPR \geq 0d100$ ), this register is used to set the time window (each integer being 100 milliseconds) prior to set the vacuum actuators in holding mode. Only valid if  $rMOD=0x01$ .

- 0x00 (0d0) - Vacuum holding state set when ambient pressure is detected.
- 0x01 (0d01) - Vacuum holding state set 100 msec after ambient pressure is detected.
- 0x0A (0d10) - Vacuum holding state set 1000 msec after ambient pressure is detected.

### Register: MINIMUM VACUUM/PRESSURE REQUEST

Address: Byte 5

Bits	7	6	5	4	3	2	1	0
Symbols	rFR							

#### rFR (Minimum Vacuum/Pressure request)

This register is used to set the appropriate minimum acceptable vacuum/pressure on the workpiece. When the minimum vacuum level is reached, the object flag (gOBJ) will be set. Once the object is detected, the vacuum generator will keep the vacuum level in between the minimum and maximum vacuum level. Only valid if  $rMOD=0x01$ .

$$rFR = 100 + P_{min}$$

Where:

$P_{min}$  is the target minimum differential pressure relative to ambient in kPa.

- 0x00 (0d0) - Object will be detected when vacuum level reaches 100% (This is impossible, so avoid using this value)
- 0x1E (0d30) - Object will be detected when vacuum level reaches 70%.
- 0x50 (0d80) - Object will be detected when vacuum level reaches 20%.
- >0x64 (>0d100) - Reserved value

#### Example:

For a grip with a maximum of 78% vacuum level and an object detection at 20% of vacuum level, use:

$$P_{max} = -78 \text{ kPa}$$

$$P_{min} = -20 \text{ kPa}$$

$$rFR = 100 + (-20) = 80$$



**Warning**

Setting the pressure tolerance too low might wear the product prematurely resulting in a shorter lifespan than expected.

The warranty of the product is defined as the number of grip/release valve cycles and not in terms of object grip/release cycles.

## 4.4. Robot input registers & status

Register: GRIPPER STATUS

Address: Byte 0

Bits	7	6	5	4	3	2	1	0
Symbols	gOBJ		gSTA		gGTO	gMOD		gACT

### gACT (Activate echo)

The gACT bit is the echo of the rACT bit in the ACTION REQUEST register.

### gMOD (Gripper mode echo)

The gMOD bits are the echo of the rMOD bits in the ACTION REQUEST register.

### gGTO (Regulate echo)

The gGTO bit is the echo of the rGTO bit in the ACTION REQUEST register. Valid only if the vacuum/pressure is regulated, otherwise it returns 0x0.

### gSTA (Activation status)

The rSTA bits indicates the status of the gripper activation sequence.

- 0b00 - Gripper is not activated.
- 0b11 - Gripper is operational.

### gOBJ (Object status)

The gOBJ bits indicates the status of the object detection.

- 0b00 - Unknown object detection. Regulating towards requested vacuum/pressure.
- 0b01 - Object detected. Minimum vacuum value reached.
- 0b10 - Object detected. Maximum vacuum value reached.
- 0b11 - No object detected. Object loss, dropped or gripping timeout reached.





**Register: GRIPPER STATUS EXTENSION**

Address: Byte 1

Bits	7	6	5	4	3	2	1	0
Symbols	Reserved						gVAS	

**gVAS (Vacuum actuator status)**

The rVAS bits indicates the status of the gripper actuators.

- 0b00 - Standby. Vacuum generator and valves deasserted (OFF).
- 0b01 - Gripping. Vacuum generator ON.
- 0b10 - Passive releasing. Releasing to ambient pressure.
- 0b11 - Active releasing. Releasing with positive pressure.

**Register: FAULT STATUS**

Address: Byte 2

Bits	7	6	5	4	3	2	1	0
Symbols	kFLT				gFLT			

**gFLT (Gripper fault status)**

The gFLT bits indicates priority, minor or major fault codes that are useful for troubleshooting. Fault LED (red) is present on the Gripper chassis, LED can be blue, red or both and be solid or blinking.

- **No fault**
  - 0x0 - No fault (LED is blue)
- **Priority faults (0x0 < gFLT <= 0x7) (LED is blue)**
  - 0x5 - Action delayed
  - 0x3 - Very porous material detected
  - 0x6 - Gripping timeout. rGTO must be re-asserted (rGTO=0 then rGTO=1) or one of the following parameters must be changed (rMOD, rPR, rSP, rFR).
  - 0x7 - The Activation bit not set. Activation bit must be set prior to action (rACT=1).
- **Minor faults (0x8 <= gFLT <= 0x9) (LED continuous red)**
  - 0x8 - Maximum operating temperature exceeded, wait for cool-down.
  - 0x9 - No communication during at least 1 second. This fault will only be returned once if the next valid communication is a "read command" of the FAULT STATUS register.



- Major faults (0xA <= gFLT <= 0xF) (LED blinking red/blue) - Reset is required (rising edge on activation bit rACT required)
  - 0xA - Under minimum operating voltage.
  - 0xB - Automatic release in progress (Vacuum/pressure detected).
  - 0xC - Internal fault; contact [support@robotiq.com](mailto:support@robotiq.com).
  - 0xF - Automatic release completed (Vacuum/pressure not detected)

#### Info

While booting, status LED will be solid blue/red.

## kFLT

Please refer to the optional Robotiq Universal Controller manual (input registers & status).

**Register: MAXIMUM VACUUM/PRESSURE LEVEL REQUEST ECHO**

**Address: Byte 3**

Bits	7	6	5	4	3	2	1	0
Symbols	gPR							

### gPR (Vacuum/Pressure request echo)

This register is the echo of the MAXIMUM VACUUM/PRESSURE LEVEL REQUEST register.

**Register: ACTUAL VACUUM/PRESSURE**

**Address: Byte 4**

Bits	7	6	5	4	3	2	1	0
Symbols	gPO							

### gPO (Actual Vacuum/Pressure)

The gPO is the actual vacuum/pressure measured in the suction cups.

$P_{diff} = gPO - 100$ . Where  $P_{diff}$  is the differential pressure relative to ambient in kPa.

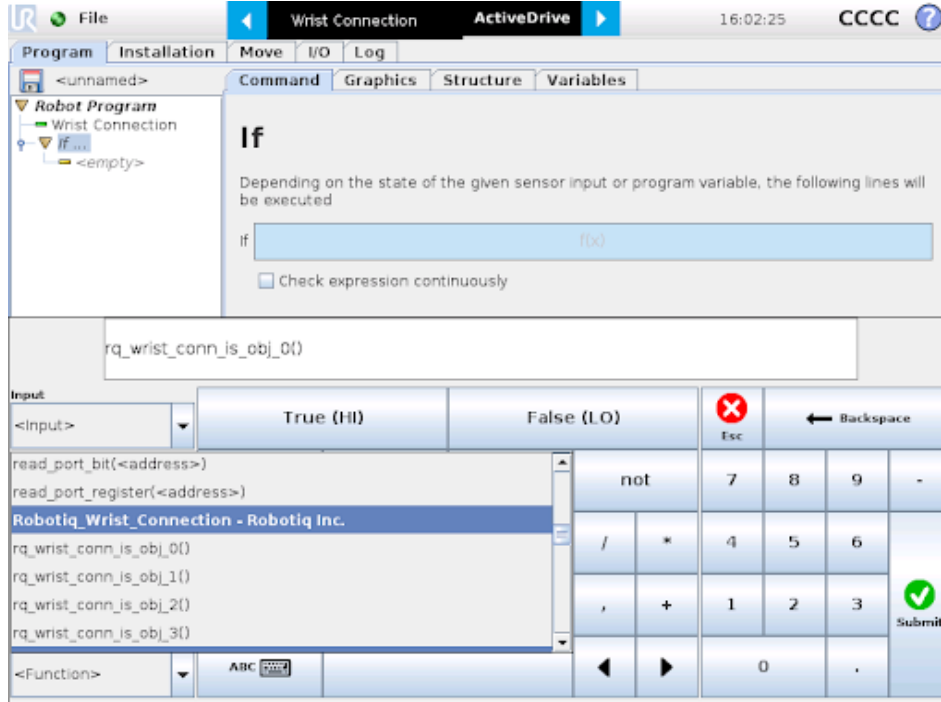
- 0x00 (0d00) - Maximum vacuum ( $P_{diff} \leq -100$  kPa).
- 0x64 (0d100) - No differential pressure ( $P_{diff} = 0$  kPa).
- 0xFF (0d255) - Maximum pressure ( $P_{diff} \geq 155$  kPa).



## 4.4.1. Single Gripper UCH-1.0.0

### Object Detection

To use the object detection feature, the tool inputs can be used.



Tool inputs configuration and object detect status are:

Associated Functions	Status
rq_wrist_conn_is_obj_0()	Unknown object detection. Regulating towards requested vacuum/pressure.
rq_wrist_conn_is_obj_1()	Object detected. Minimum vacuum value reached.
rq_wrist_conn_is_obj_2()	Object detected. Maximum vacuum value reached.
rq_wrist_conn_is_obj_3()	No object detected. Object loss, dropped or gripping timeout reached.

## 4.5. Vacuum Gripper behavior

Workpiece gripping/releasing is performed by changing the values of the gripper input registers. While the control is very simple, some behaviors deserve a better explanation. The Vacuum Gripper can work in two different mode: the **Automatic** and **Advanced** modes.



## 4.5.1. Automatic mode

The automatic mode is selected when  $rMOD=0b00$ . In this mode, the Vacuum Gripper will automatically detect the proper vacuum levels and timeout/delay required to grip or release the workpiece. Behavior of the automatic mode changes depending on the workpiece surface material, the suction cup condition and the firmware revision. This mode should be used when the user wants to make a quick test. If a constant behavior is needed, using the advanced mode is a more suitable option.

When gripping an object in the automatic mode, the Vacuum Gripper will:

- 1 Try to reach the maximum possible vacuum level for a maximum period of 2 seconds.
- 2 Directly activate the continuous mode if the maximum vacuum level detected is under 30%.
- 3 Automatically determine a desired minimum and maximum vacuum level in order to keep a good grip on the workpiece, if a vacuum level of more than 10% is detected and the level seems constant.
- 4 Set the object flag.
- 5 Vacuum generator will keep the vacuum level in between min and max until a release command is received.
- 6 Activate a time-out regrip for the object detection if:
  - i. The vacuum level drops under 10% ;
  - ii. The object status is 0. This means that the vacuum level dropped under the minimum level for more than 1 second.

When releasing an object in the automatic mode, the Vacuum Gripper will:

- 1 Open the release valve.
- 2 Object drop flag will be set when the vacuum level falls below 0.5%.
- 3 Release valve will be kept open for 1 second.

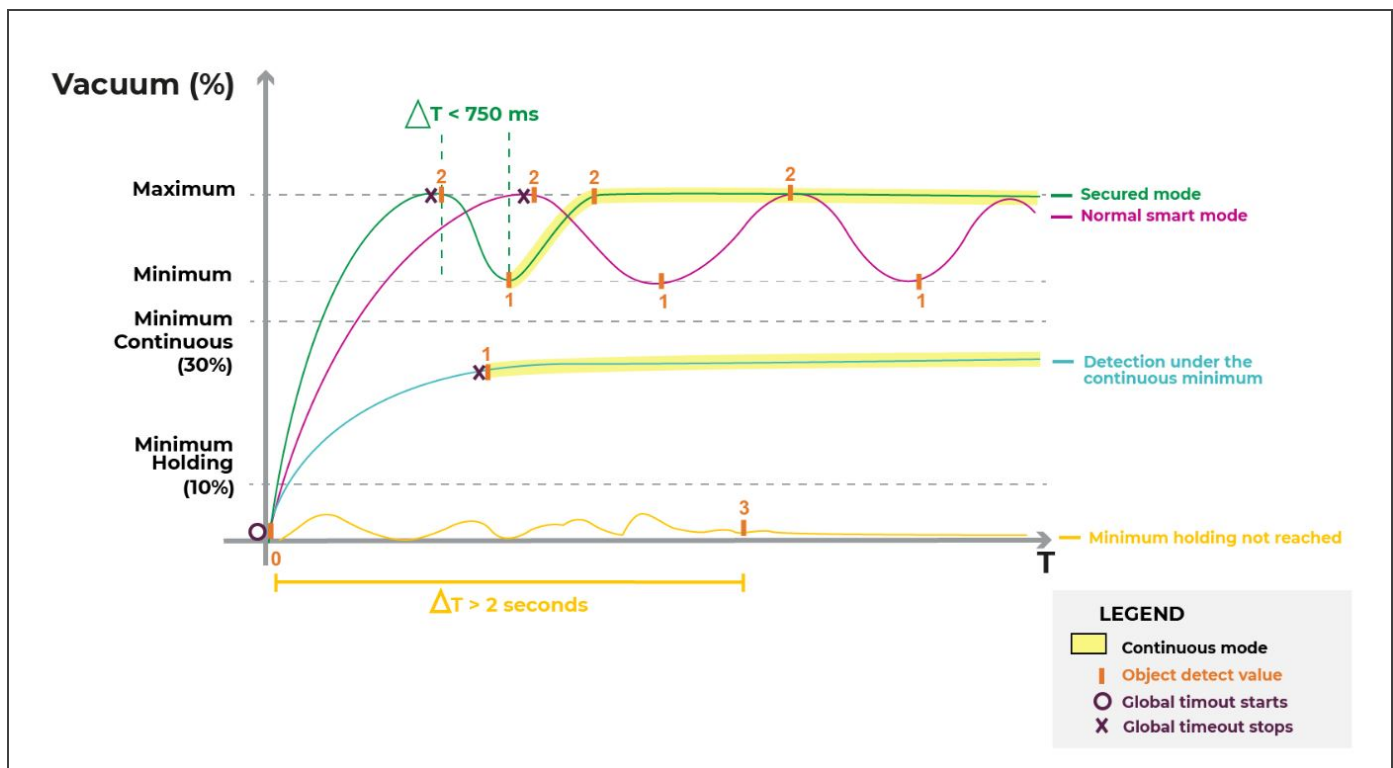


Fig. 4-2: Vacuum level vs time in the automatic mode



## Advanced mode

The advanced mode is selected when `rMOD==0b01`. In this mode, the user can set the desired vacuum levels and timeout/delay required to grip/release the object. Behavior of the manual mode only depends on the maximum vacuum level, minimum vacuum level and the timeout/delay registers. This mode should be used when the user wants to have a constant production behavior.

In the advanced mode, when an object is gripped with the maximum vacuum level set below 100%, the Vacuum Gripper will:

- 1 Try to reach the desired maximum vacuum level for a maximum period of the desired timeout value.
- 2 If the desired minimum vacuum level is reached, the object flag will be set to `(gOBJ=0b01)`. If the desired maximum vacuum level is reached, the object flag will be set to `(gOBJ=0b10)`.
- 3 Vacuum generator will keep the vacuum level in between min and max until a release command is received. Object flag will toggle in between `(gOBJ=0b01)` and `(gOBJ=0b10)`.
- 4 Activate a time-out regrip for the object detection if:
  - i. The vacuum level drops under 10% ;
  - ii. The object status is 0. This means that the vacuum level dropped under the minimum level for more than 1 second.

When gripping an object in the manual mode with a maximum vacuum level that can't be reached or that reached 100%, the Vacuum Gripper will:

- 1 Continuously generate a vacuum
- 2 When the minimum vacuum level is reached, object flag will be set `(gOBJ=0b01)`. Object flag `(gOBJ=0b10)` will never be set because the maximum vacuum level is impossible to reach.
- 3 Activate a time-out regrip for the object detection if:
  - i. The vacuum level drops under 10% ;
  - ii. The object status is 0. This means that the vacuum level dropped under the minimum level for more than 1 second.

When releasing an object in the manual mode, the Vacuum Gripper will:

- 1 Open the release valve.
- 2 Object drop flag will be set when the vacuum level falls below 0.5%.
- 3 Release valve will be kept open for 1 second.



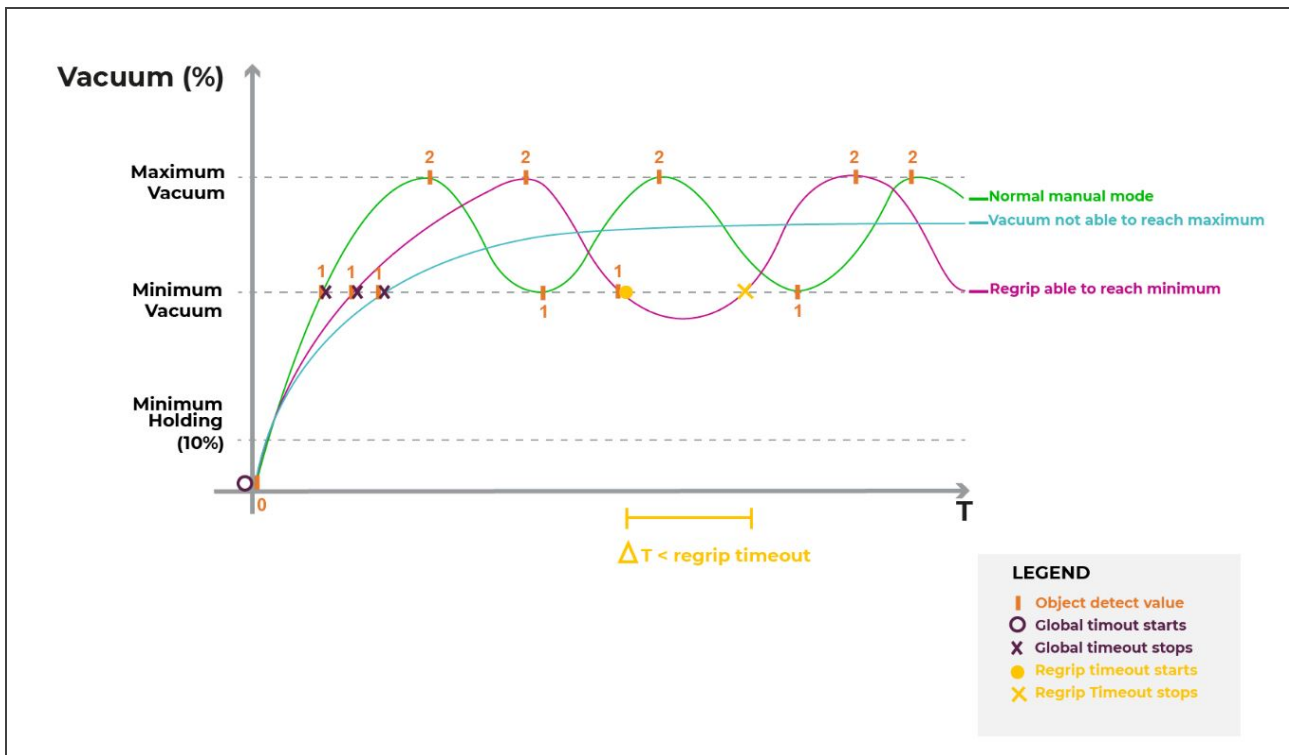


Fig. 4-3: Vacuum level vs time in normal advanced mode

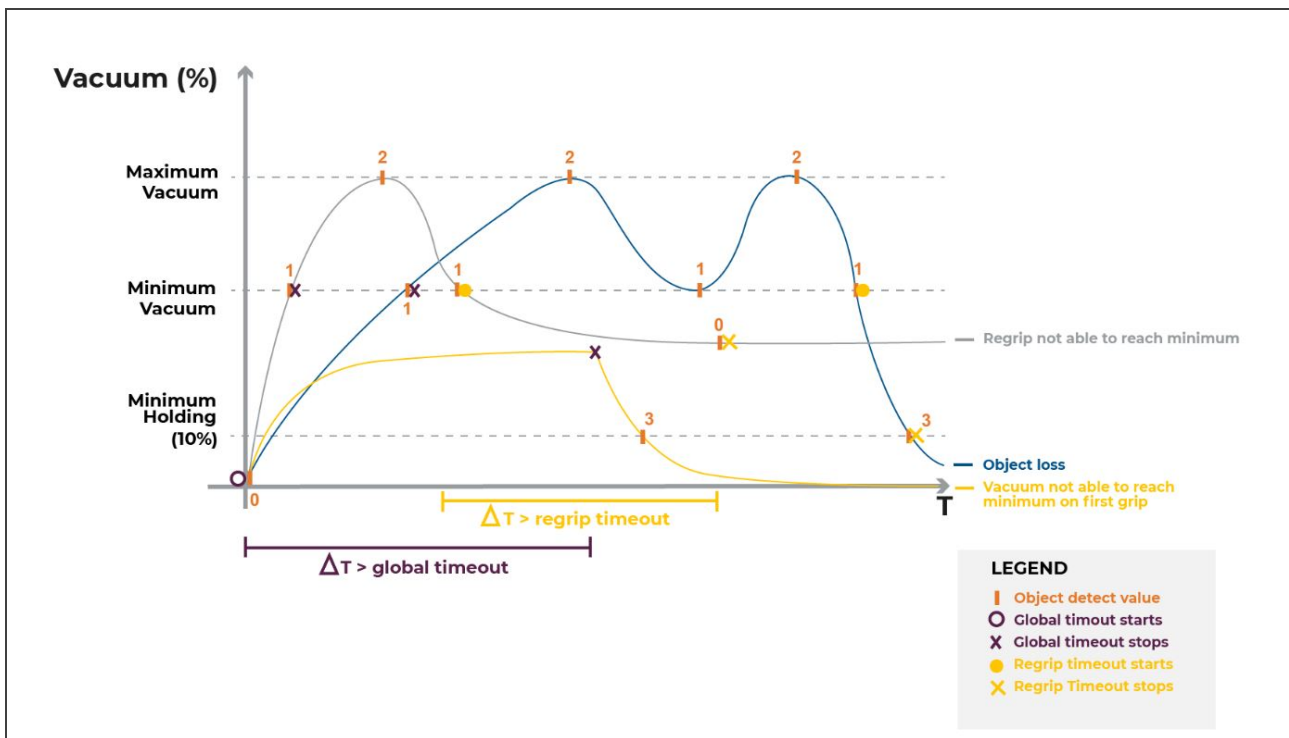


Fig. 4-4: Vacuum level vs time in abnormal advanced mode

## Very porous material detection

When a very porous material is detected or when the suction wears out, the Vacuum Gripper will detect it and react according to the gripper mode. When this condition occurs, it is important to find the underlying reason because it will make the vacuum generator start and stop very rapidly. This can lead to a premature wear of the gripper internal mechanics.



- In **automatic mode**, no fault will be set, but the gripper will continuously run the vacuum generator until a release command is received.
- In **advanced mode**, a fault flag will be set ( $gFLT=0x3$ ) and the gripper will continue to run with the desired settings.

## Object lost/ drop behavior

When an object is lost or dropped, the gripper will set an object flag ( $gOBJ=0b11$ ). This means that the vacuum level has fallen below 10% or below the minimum desired vacuum level for a the desired timeout value.

## Object secured behavior

As soon as the grip command is received by the gripper:

1. The unknown object flag will be set ( $gOBJ=0b00$ ).
2. If the vacuum level reaches the desired maximum vacuum level, the object secure to max flag will be set ( $gOBJ=0b10$ ).
3. The vacuum generator will stop until the vacuum reach the desired minimum vacuum level.
4. The object secured to min flag will be set ( $gOBJ=0b01$ ) and the vacuum generator will try to reach the maximum vacuum again.

## Object not detected behavior

When a grip command is received, the gripper will use the desired timeout value as a maximum period of time to detect an object. When no object is detected after the timeout value, the timeout flag will be set ( $gFLT=0x6$ ). To retry the same grip command, the regulate bit needs to be re-asserted ( $rGTO=0b0$ , then  $rGTO=0b1$ ). If new gripping settings are received ( $rMOD$ ,  $rPR$ ,  $rFR$ ,  $rSP$ ), there is no need to re-assert the regulate bit.

## Object release delay

When the release command is received, the vacuum gripper will open the release valve in order to let air enter the suction cups. Once the pressure inside the suction cup is equal or greater than the ambient pressure, the gripper will set the no object flag ( $gOBJ=0b11$ ). The robot will then move away from the workpiece. Depending on the suction type, this motion might create a new vacuum inside the suction cups. Therefore, the user can set the distance for the robot to move away from the workpiece. Once this distance is reached, the Vacuum Gripper valve will close.

## Emergency stop behavior

Depending on the robot, the behavior might be different when pushing an emergency stop. If the user wants to ensure a good grip even in emergency stop, the vacuum gripper must be connected to a supply source that will not drop when pushing the emergency stop. As long as the gripper is supplied, it will always try to keep the workpiece, even if the communication is stopped with the robot.



## 4.6. Control logic

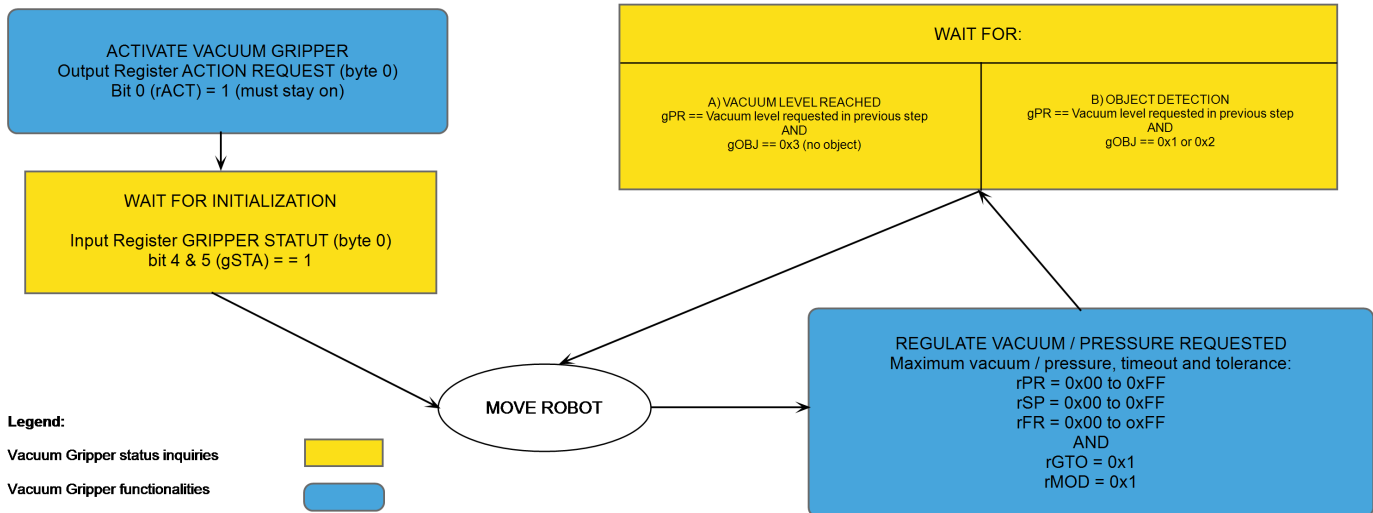


Fig. 4-5: Example of the Vacuum Gripper control logic with associated registers.

## 4.7. Modbus RTU communication

The Vacuum Gripper can be controlled by Modbus RTU over RS485. This section is intended to provide guidelines for setting up a Modbus master that will adequately communicate with the Gripper.

For a general introduction to Modbus RTU and for details regarding the CRC algorithm, the reader is invited to read the Modbus over serial line specification and implementation guide available at: [http://www.modbus.org/docs/Modbus\\_over\\_serial\\_line\\_V1\\_02.pdf](http://www.modbus.org/docs/Modbus_over_serial_line_V1_02.pdf).

For debugging purposes, the reader is also invited to download one of many free Modbus master such as the CAS Modbus Scanner from Chipkin Automation Systems available at: <http://www.store.chipkin.com/products/tools/cas-modbus-scanner>.





**Info**

Modbus RTU is a communication protocol based on a Big Endian byte order. Therefore, the 16-bit register addresses are transmitted with the most significant byte first. However, the data port is, in the case of Robotiq products, based on the Little Endian byte order. As such, the data parts of Modbus RTU messages are sent with the less significant byte first.

**Tip**

Modbus RTU specifications and details can be found at [www.modbus.org](http://www.modbus.org).

## 4.7.1. Connection setup

The following table describes the connection requirements for controlling the Gripper using the Modbus RTU protocol.

Proprieties	Value
Physical interface	RS-485
Baud rate	1.2KBps to 10500KBps; <b>Default: 115.2 KBps</b>
Data bits	8 bits
Parity	None, Odd, Even; <b>Default: None</b>
Stop bit	1 or 2 bit; <b>Default: 1 bit</b>
Other Modbus functions	FC4, FC6, FC16, FC23,
Exception responses	0x03 (Illegal Data Value)
Slave ID	1 to 9; <b>Default: 9</b>
Robot output/Gripper input registers	1000 to 1007
Robot input/Gripper output registers	2000 to 2007

Table 4-2: Modbus RTU connection setup for the Vacuum Gripper

## 4.7.2. Read input registers (FC04)

The function code 04 (**FC04**) is used to request the status of the Vacuum Gripper's analog input register. Examples of use of these data are the Vacuum Gripper status, the object status, etc.



### Example of FC04 read function:

This message asks for register 0x07D0 (2000) and register 0x07D1 (2001) which contain Gripper Status, Object Detection, Fault Status and Maximum Relative Pressure Level Request Echo.

Request is: 09 04 07 D0 00 02 70 0E

Bits	Description
09	Slave ID
04	Function Code 04 (Read Input Registers)
07D0	Address of the first requested register
0002	Number of registers requested (2)
700E	Cyclic Redundancy Check (CRC)

Response is: 09 04 04 F0 00 00 00 41 44

Bits	Description
09	Slave ID
04	Function Code 04 (Read Input Registers)
04	Number of data bytes to follow
F000	Content of register 07D0
0000	Content of register 07D1
4144	Cyclic Redundancy Check (CRC)

### 4.7.3. Preset single register (FC06)

Function code 06 (FC06) is used to activate functionalities of the Vacuum Gripper (robot output). It can be used to set registers one at a time. Examples of use of these data are action request, maximum vacuum level, minimum vacuum level, etc.

#### Example of setting multiple registers FC06:

This message request sets the maximum relative pressure level.

Request is: 09 06 03 E9 00 19 95 A3



Bits	Description
09	Slave ID
06	Function Code 06 (Preset Single Registers)
03E9	Address of the requested register
0019	Value written in register 03E9 (Maximum pressure level = 75%)
98F8	Cyclic Redundancy Check (CRC)

Response is: 09 06 03 E9 00 19 95 A3

Bits	Description
09	Slave ID
06	Function Code 06 (Preset Single Registers)
03E9	Address of the requested register
0019	Value written in register 03E9 (Maximum pressure level = 75%)
98F8	Cyclic Redundancy Check (CRC)

#### 4.7.4. Preset multiple registers (FC16)

Function code 16 (FC16) is used to activate functionalities of the Vacuum Gripper (robot output). Examples of use of these data are action request, maximum vacuum level, minimum vacuum level, etc.

##### Example of setting multiple registers FC16:

This message request sets the maximum relative pressure level, the grip timeout, and minimum relative pressure.

Request is: 09 10 03 E9 00 02 04 00 19 0A 23 95 A3

Bits	Description
09	Slave ID
10	Function Code 16 (Preset Multiple Registers)



03E9	Address of the first requested register
0002	Number of registers requested (2)
04	Number of data bytes to follow (2 registers x 2 bytes/register = 4 bytes)
0019	Value written in register 03E9 (Maximum pressure level = 75%)
0A23	Value written in register 03EA (Timeout of 1 second, minimum pressure level = 65%)
95A3	Cyclic Redundancy Check (CRC)

Response is: 09 10 03 E9 00 02 91 30

Bits	Description
09	Slave ID
10	Function Code 16 (Preset Multiple Registers)
03E9	Address of the first requested register
0002	Number of registers requested (2)
9130	Cyclic Redundancy Check (CRC)

## 4.7.5. Master read & write multiple registers (FC23)

Function code 23 (FC23) is used for reading the status of the Vacuum Gripper (robot input) and activating functionalities of the Vacuum Gripper (robot output) simultaneously. Examples of use of these data are Vacuum Gripper status, object status, etc. Action requests are speed, force, etc.

### Example of reading and writing multiple registers FC23:

This message reads registers 0x07D0 (2000) and 0x07D1 (2001), which contains Vacuum Gripper Status, Object Detection, Fault Status and Position Request Echo. It also sets the position request, speed and force of the Vacuum Gripper by writing to registers 0x03E9 (1001) and 0x03EA (1002).

Request is: 09 17 07 D0 00 02 03 E9 00 02 04 00 19 0A 23 4A D3

Bits	Description
09	Slave ID



17	Function Code 23 (read and write multiple registers)
07D0	Address of the first requested register <b>read</b>
0002	Number of registers requested (2), <b>read</b>
03E9	Address of the first register <b>written to</b>
0002	Number of registers <b>written to</b> (2)
04	Number of data bytes to follow (2 registers X 2 bytes/registers = 4 bytes)
0019	Value written to register 0x03E9
0A23	Value written to register 0x03EA
4AD3	Cyclic Redundancy Check (CRC)

## Vacuum Gripper and I/O Coupling communication

The following communication parameters must be present:

- **Baud rate:** 115200 bps
- **Parity:** None
- **Data:** 8 bit
- **Stop bit:** 1 bit
- **Slave ID:** 1 to 9

### Activation sequence

#### Caution

The activation sequence will only work with the **GU1-2.0.2** firmware version installed.

In order to activate the sequence:

- Wait at least 10 ms between steps
- The whole sequence can not exceed 5 seconds
- The Robotiq Vacuum Gripper must be connected to the I/O Coupling. The I/O Coupling detection of the Vacuum Gripper has to be confirmed (led blue) before doing the sequence, otherwise it will not be valid.
- Doing the sequence once the I/O coupling is activated will reactivate the I/O Coupling.
- Activating the I/O Coupling may lead to an action on the connected device



- Activation of the I/O Coupling must be done each time you connect a new device or when a power cycle is done so you can use the connected device, otherwise it will do nothing.

Steps (> 10 ms between)	Digital Input 0	Digital Input 1
1	Low	Low
2	High	-
3	Low	-
4	-	High
5	-	Low

After the activation, use a release preset (default is preset 4) to make sure that the next grip preset used will be different and detected by the I/O Coupling.



## 4.8. Control over Universal Robots with URCap

### 4.8.1. Control with the Wrist Connection Kit (I/O Coupling)

#### Info

A Gripper firmware update is required to use your Vacuum Gripper with the I/O Coupling. Make sure you have the latest version installed: **GU1-2.0.2**. If an update is necessary on the I/O Coupling or the Vacuum Gripper, the Robotiq User Interface (RUI) will warn you and request the execution.

#### Info

Make sure to delete the old Vacuum Gripper URCap before using the I/O Coupling one.

#### Info

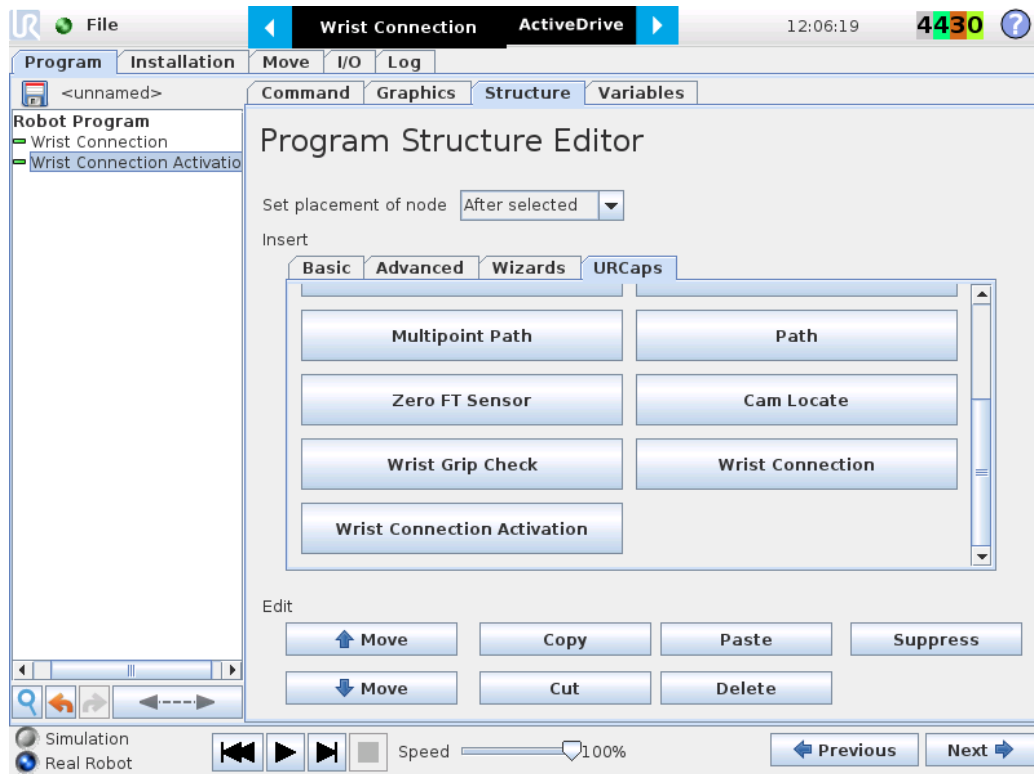
The robot's PolyScope version must be 3.10 and later in order to install the URCap.

### Wrist Grip Check node

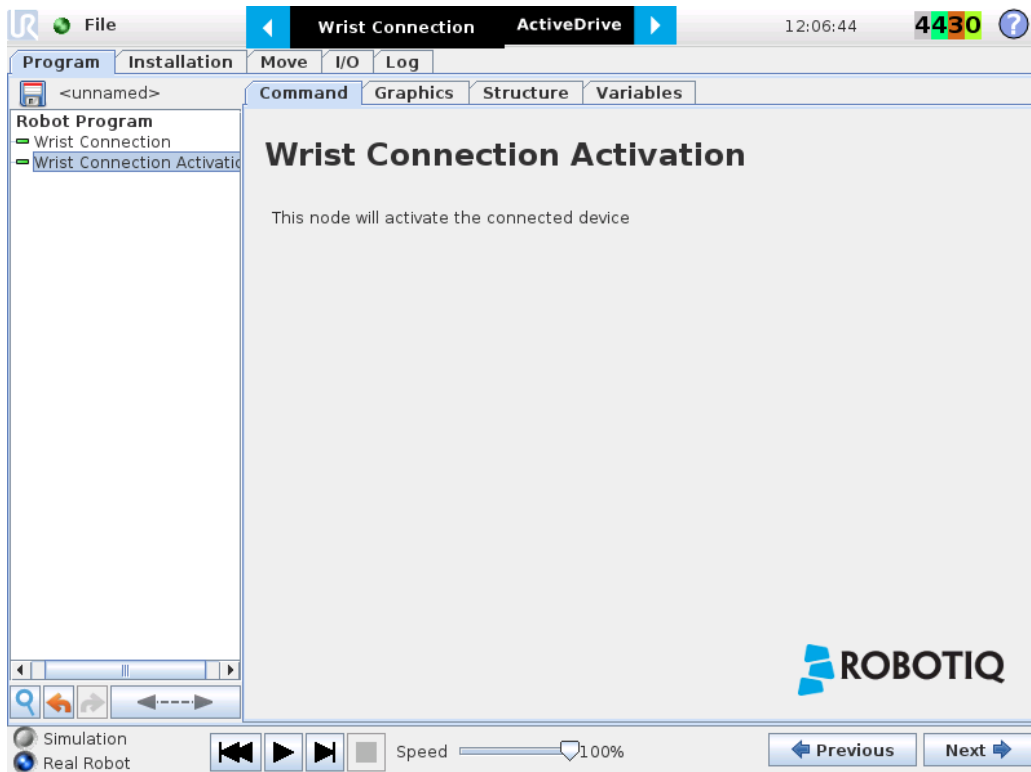
In order to add and edit a **Wrist Grip Check** node:

- 1 On the Teach Pendant, open a robot program or create one.
- 2 Tap **Structure >URCaps**
- 3 Select the desired Wrist node:
  - **Wrist Connection Activation**
  - **Wrist Connection**
  - **Wrist Grip Check**





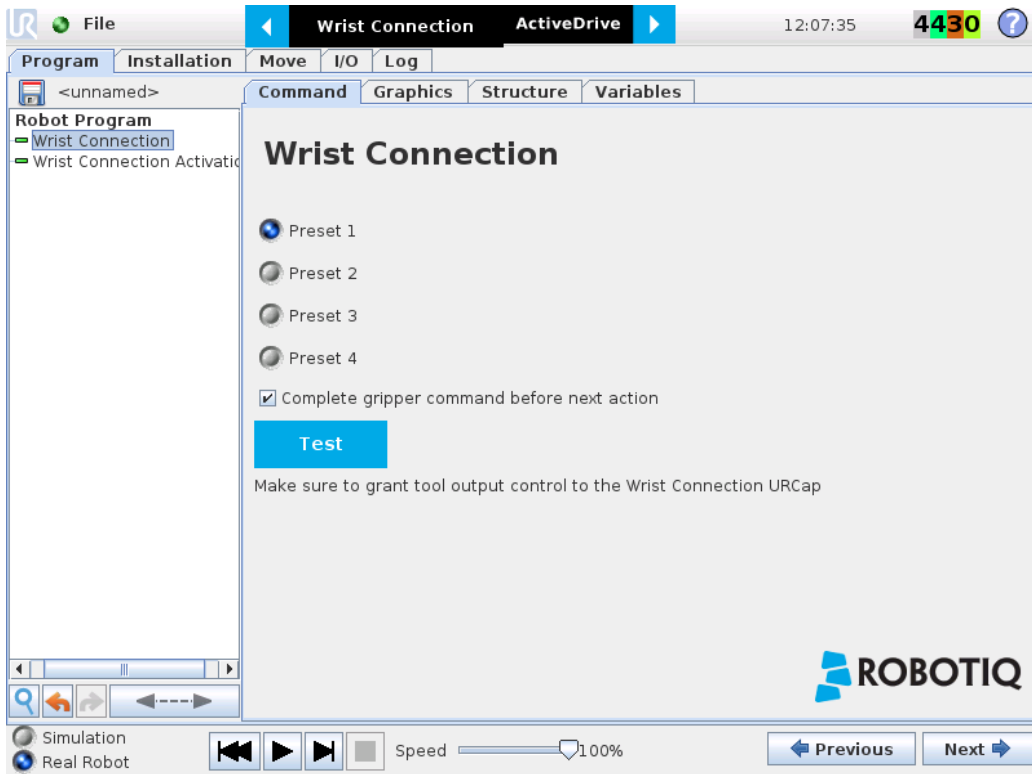
- The Wrist connection Activation node will activate the device in the program.



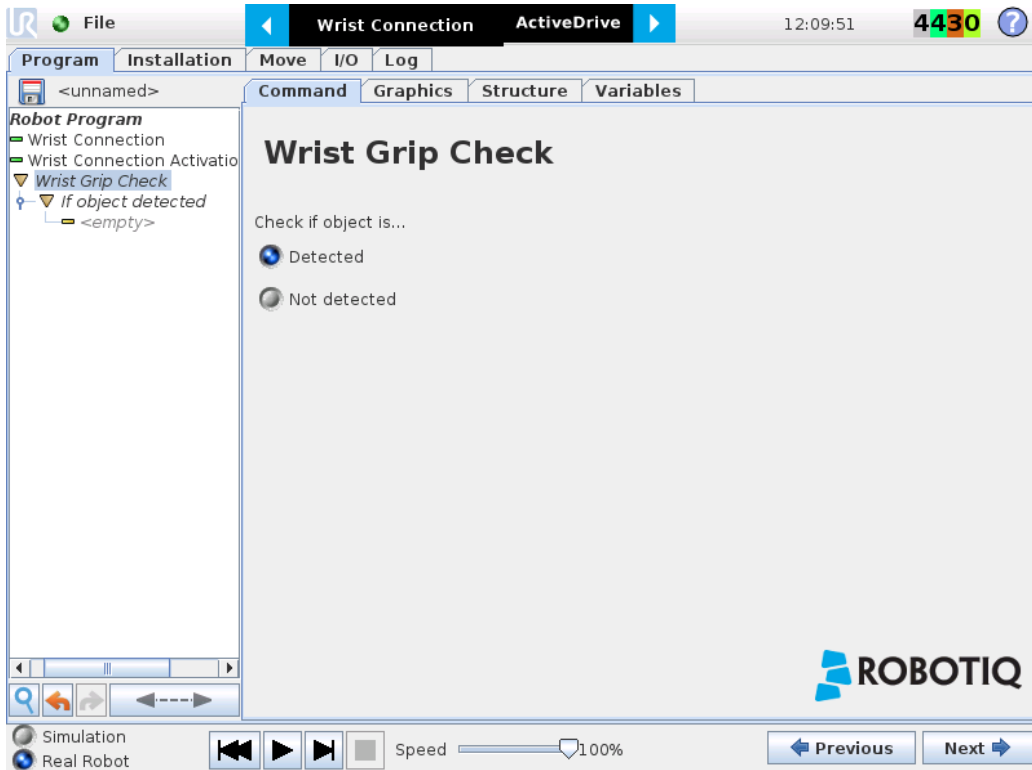
- For each Wrist connection node, select the desired presets. You can click on the Test button to try each preset.



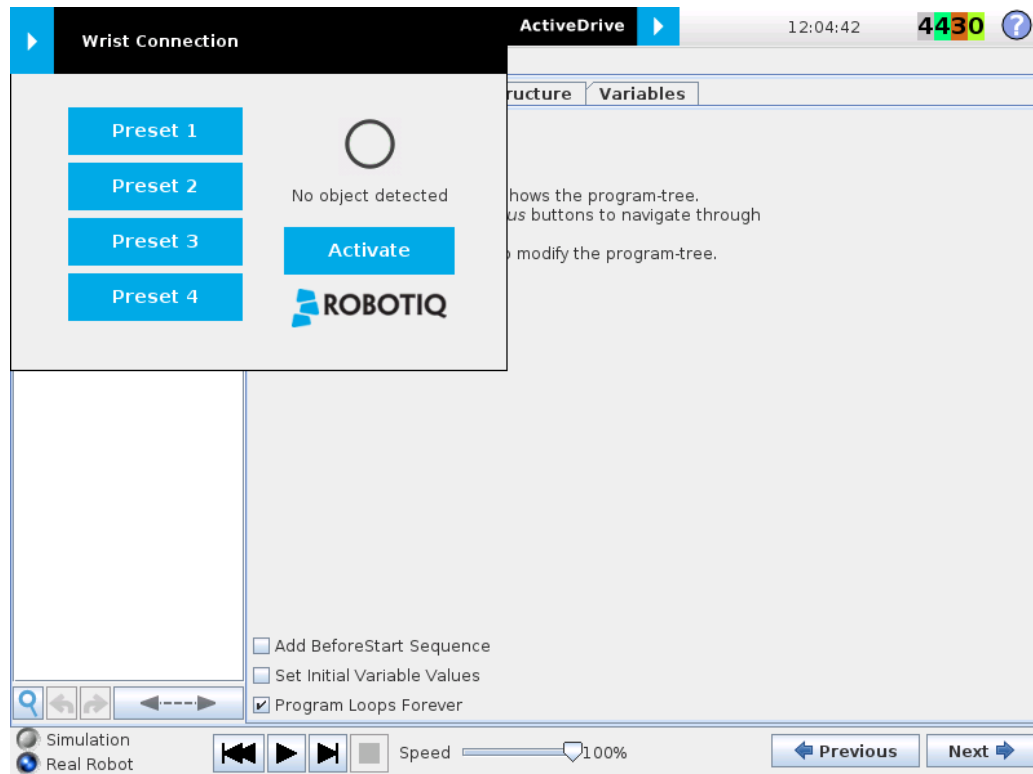




- The **Wrist Grip Check** node is pre-packaged as an *If statement* that prompts the user to select between if the object is detected and if the object is not detected.



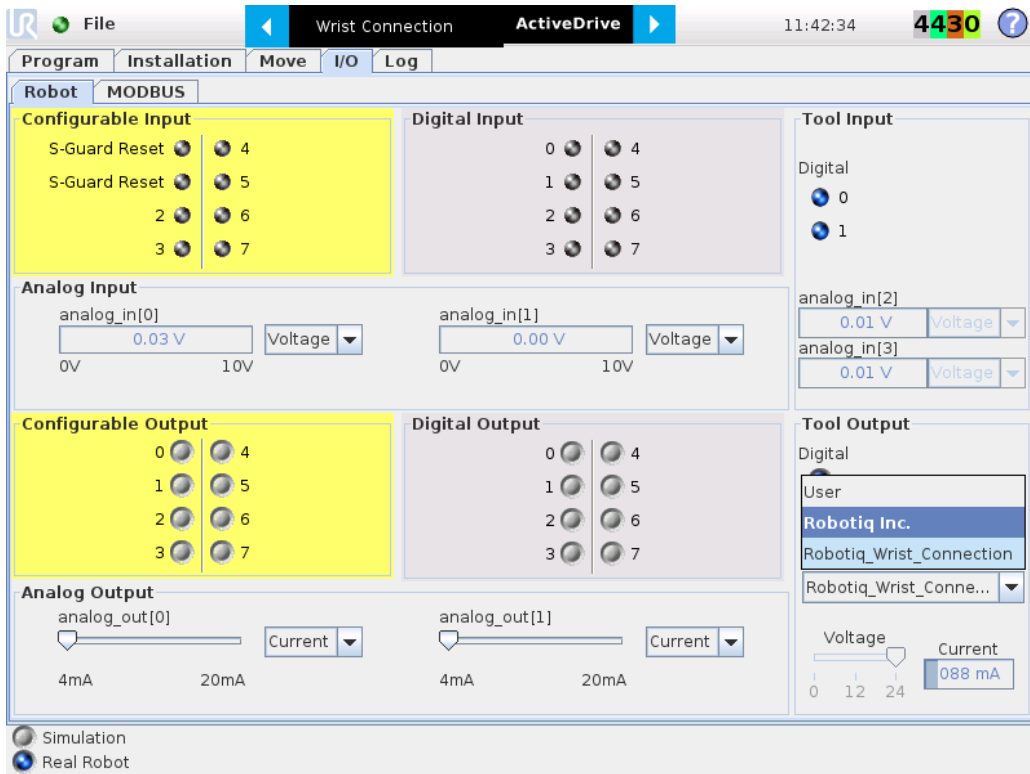
- In the **Wrist Connection Toolbar**, you can:
  - Test the 4 presets;
  - See the Object Detection;
  - Activate the Vacuum Gripper



To make sure to operate the Vacuum Gripper, set the voltage at 24V:

- 1 Click on the I/O tab.
- 2 In the **Tool Output** section, select **Robotiq\_Wrist\_connection** on the *Controlled by* drop down menu.





## 4.8.2. Control with the Standard Coupling Kit

The URCap package contains several features to program and control the Vacuum Gripper. The package comprises:

- The Vacuum Gripper Toolbar: automatically installed with the URCap package. It allows to test the vacuum distribution. It is a great tool to try gripping workpieces while programming.
- The Vacuum node: The URCap package includes a node that is used to add and edit a Vacuum Gripper command. The node can make the device grip a workpiece, release a workpiece, set the vacuum distribution level, apply a manual timeout, and establish a shut off distance.



### 4.8.3. Vacuum Gripper Scan

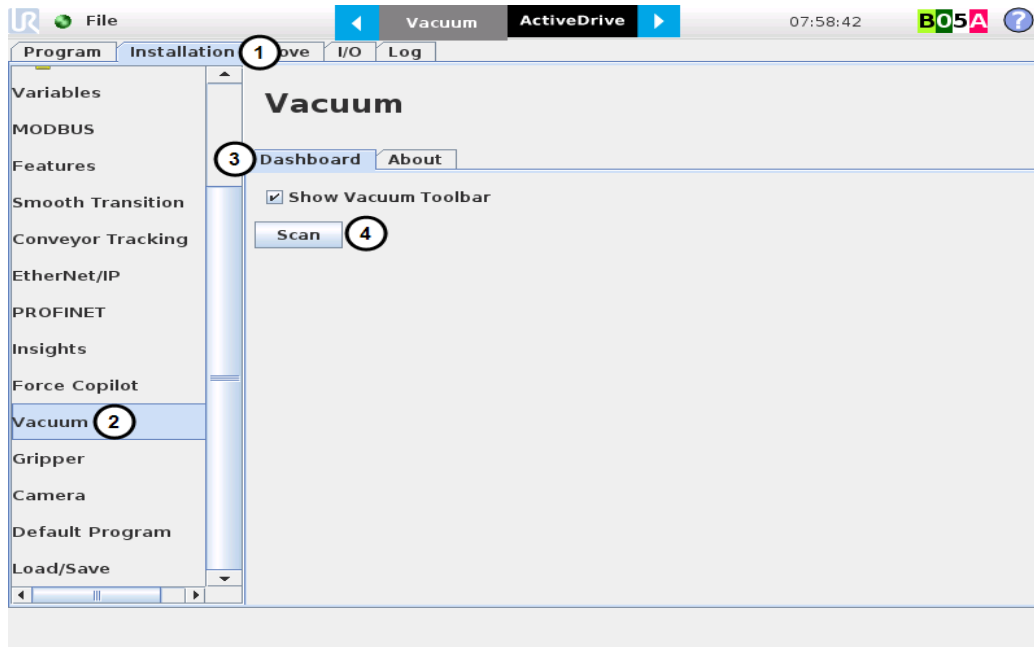


Fig. 4-6: Vacuum gripper scan

1. On the teach pendant, tap the **Installation** button.
2. Tap **Vacuum** in the navigation pane on the left.
3. Select the **Dashboard** tab.
4. Tap the **Scan** button.

### 4.8.4. Vacuum Gripper Toolbar

#### Overview

The Vacuum Gripper Toolbar is used to test the Gripper.



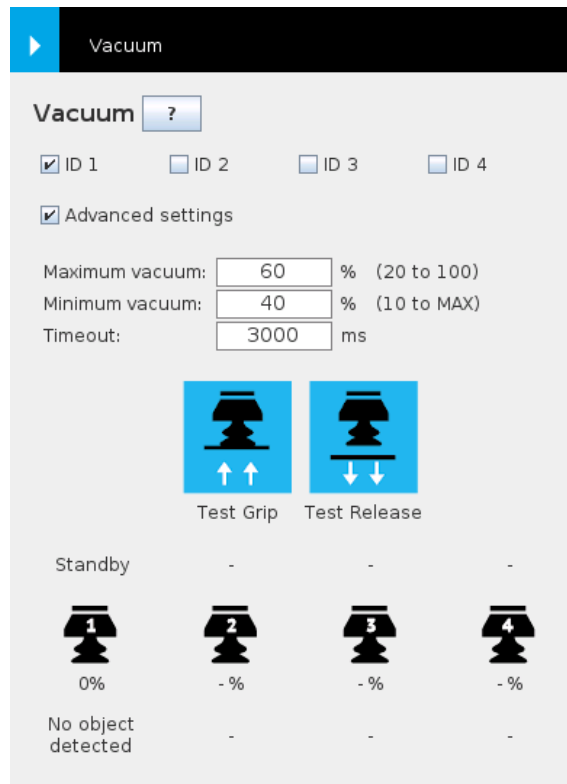
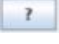


Fig. 4-7: Vacuum Gripper Toolbar

## Features

Functionality name	Description
Advanced settings	Manual mode selector: Allows the user to set the maximum/minimum vacuum distribution levels, the timeout as well as the continuous mode . This mode allows a complete customization of the vacuum distribution to meet the user's specific application needs.
Maximum	Maximum vacuum distribution level. When this value is reached, the vacuum gripper stops the suction. Once the vacuum level reaches the minimum value, the suction will start again.
Minimum	Minimum vacuum distribution level. The vacuum gripper will start the suction once the vacuum level reaches this value, which is the one considered by the program to detect the object or not.
Test Grip	Performs a Grip test corresponding to the Grip mode selected.
Test Release	Performs a Release test corresponding to the Grip mode selected
Timeout	Period after which a gripper error is generated. A 0 means that there is no timeout.



Functionality name	Description
Continuous grip	Allows the vacuum gripper to perform suction while it moves an object from one place to an other.
Help 	Opens an informational pop-up to provide information to the user regarding the Gripper status and the Object status.

## 4.8.5. Vacuum Gripper node

To add and edit a Vacuum Gripper node inside your robot program, follow these steps:

1. Tap **Program Robot**.
2. Open or load an empty program.
3. Go to the **Structure** tab and tap the **URCaps** submenu.
4. Tap the **Vacuum** button.
5. Go to the **Command** tab to edit the **Vacuum** node inserted.

### Command window

The Command window shows the requested action parameters for the Vacuum Gripper node.

#### Info

Since the Automatic mode establishes the parameters in real time depending (among other factors) on the Gripper behavior and workpiece material, the Manual mode will mainly be documented.

### Grip Command

- The control of four (4) Vacuum Grippers can be done at the same time. On the **Command** tab, tick the number of ID associated to the Vacuum Grippers you need.



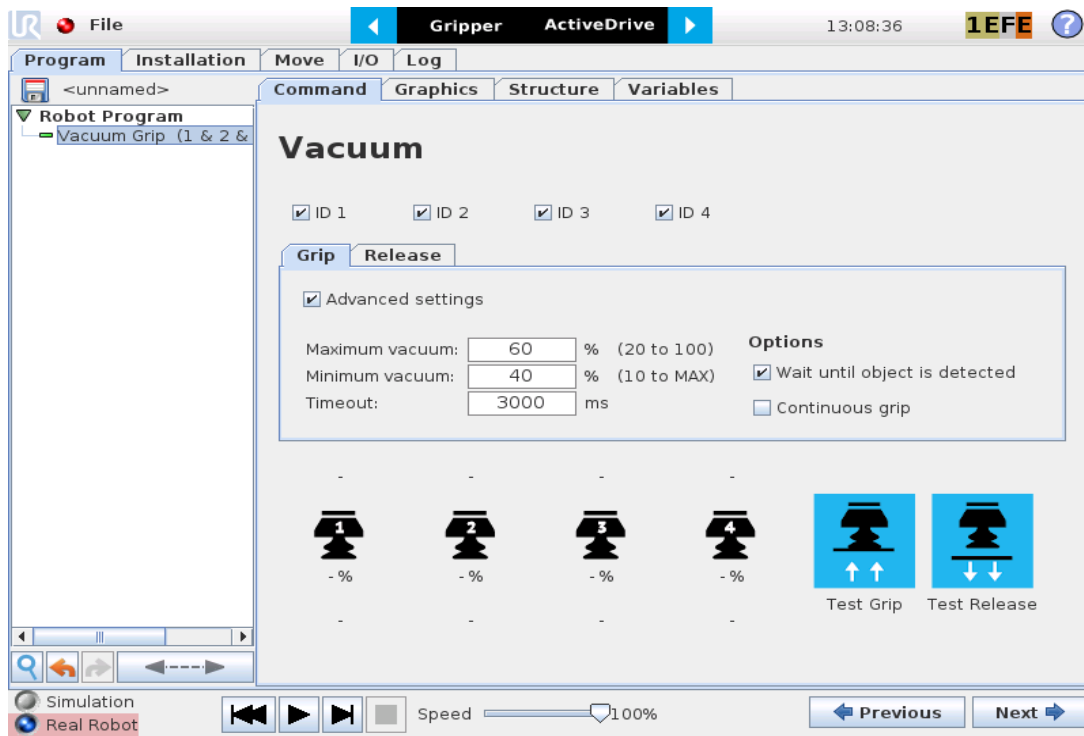


Fig. 4-8: Command window with the control of four Vacuum Grippers at the same time

- In the **Command** window, tap the **Grip** tab.
- Tap the **Advanced settings** checkbox
- Tap the textbox next to **Maximum level** and use the numpad to enter a value between 0% and 100%
- Tap the textbox next to **Minimum level** and use the numpad to enter a value between 0% and the maximum vacuum level
- Tap the textbox next to **Timeout** and use the numpad to enter a value between 0 and 25,500 ms.
- The user can program using the object detection feature by ticking the **Wait for object detected**.

Functionality name	Description
Release	Toggles to the Release mode.
Advanced Settings	Manual mode selector: allows the user to set the maximum/minimum vacuum distribution levels, the timeout as well as the continuous mode . This mode allows a complete customization of the vacuum distribution to meet the user's specific application needs.
Maximum Level	Maximum vacuum distribution level. The vacuum gripper stops the suction at the reach of this value. The suction will start again when the vacuum level will reach the minimum value.
Minimum Level	Minimum vacuum distribution level. The vacuum gripper will start the suction once the vacuum level reaches this value.



Functionality name	Description
Timeout	Period after which a gripper error is generated. A 0 means that there is no timeout.
Node test: Grip and Release button	Performs a Grip or Release test corresponding to the Grip mode selected.
Wait for object detected	Option enabling the Gripper to wait for an object detection before executing the next command in the program.
Continuous grip	Allows the vacuum gripper to perform suction while it moves an object from one place to another.

## Release Command

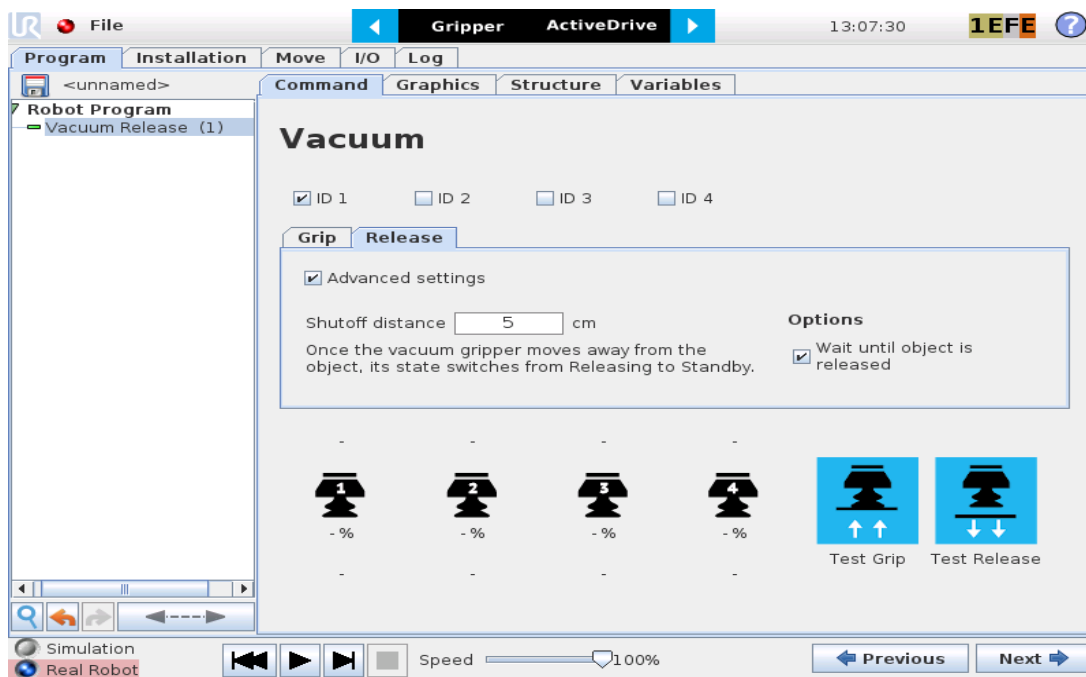


Fig. 4-9: Command window with Vacuum Gripper node - Release mode

- In the **Command** window, tap the **Release** tab.
- Tap the **Advanced settings** checkbox.
- Tap the textbox next to **Shutoff distance** and use the numpad to enter a value indicating the travel distance at which the pump will stop distributing the pressure after a **Release** command.
- The user can program using the object detection feature by ticking the **Wait until object is released** in the **Options**.





## Features

Functionality name	Description
Grip	Toggles to the Grip mode.
Advanced settings	Manual mode selector: allows the user to set the Shut off distance parameter.
Shut off distance	Closes the pump valves following a Gripper travel over a certain distance.
Node test: Grip and Release button	Minimum vacuum distribution level. The vacuum gripper will start the suction once the vacuum level reaches this value.
Wait until object is released	Option enabling the Gripper to wait until it does not detect an object anymore before executing the next command in the program

## Advanced Vacuum Gripper Functions

The use of Gripper URcaps nodes allows the Vacuum Gripper to grip and release. The advanced functions supports multiple vacuum grippers and some of them are only available through UR Script commands. Also note that the value of the gripper socket can be 1, 2, 3 or 4.

Functionality name	Description
<code>rq_vacuum_release(advanced_mode, shutoff_distance_cm, wait_for_object_released, gripper_socket)</code>	Allows the Vacuum Gripper to release an object. The default values are : advanced_mode=False, shutoff_distance_cm=5, wait_for_object_released=True, gripper_socket="1"
<code>rq_vacuum_grip(advanced_mode, minimum_vacuum, maximum_vacuum, timeout_ms, wait_for_object_detected, gripper_socket)</code>	Allows the Vacuum Gripper to grip an object. The default values are : advanced_mode=False, maximum_vacuum=60, minimum_vacuum=40, timeout_ms=3000, wait_for_object_detected=True, gripper_socket="1"
<code>rq_is_vacuum_obj_detected (gripper_socket)</code>	Returns True if the Vacuum Gripper has detected an object. Returns False if Vacuum Gripper has not detected an object. Useful for verifying that an object has been picked correctly before going to the next step.
<code>rq_set_gripper_max_cur(current_mA, gripperId)</code>	Sets the Vacuum Gripper maximum supply current in mA.



---

## 5. User Interface

---

Visit the product page of the Vacuum Grippers on [support.robotiq.com](https://support.robotiq.com) to get the latest installer of the Robotiq User Interface along with appropriate documentation.

To consult the Robotiq User Interface Manual, go to [support.robotiq.com](https://support.robotiq.com) , select **Browse by product** → **Vacuum Grippers** → **Universal Robots** → **Software** → **Robotiq User Interface**.



## 6. Specifications

### Caution

This manual uses the metric system, unless specified, **all dimensions are in millimeters.**

The following subsections provide data on the various specifications for the Robotiq EPick Gripper.

- Section 6.1 lists the technical dimensions of the Gripper
  - Dimensions for custom (blank) coupling
  - Dimensions of all available couplings
- Section 6.2 presents the mechanical specifications of the Gripper.
- Section 6.3 gives electrical specifications for the Gripper.

### 6.1. Technical dimensions

#### 6.1.1. Gripper

The figure below represents the Gripper's dimensions.

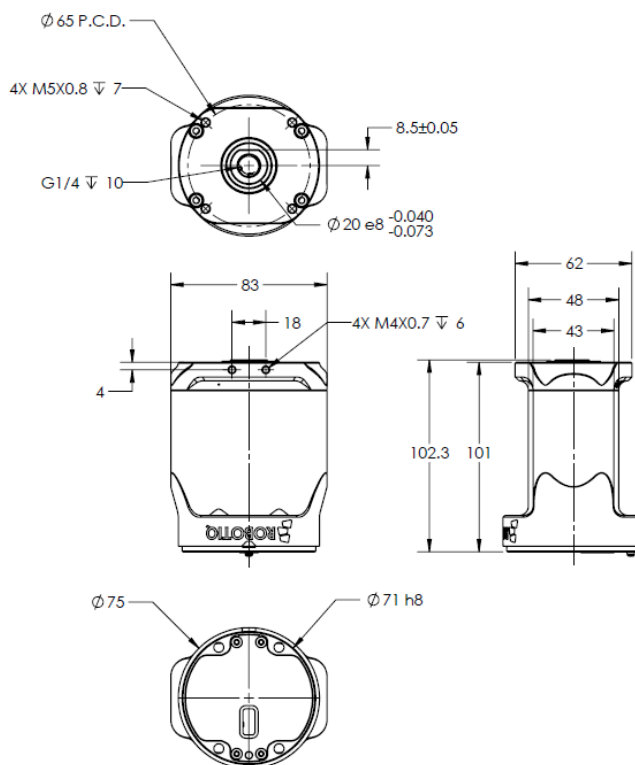


Fig. 6-1: EPick general dimensions



## 6.1.2. Suction Cup System

The figures below represent the dimensions of the components of the suction cup systems.

### Manifold

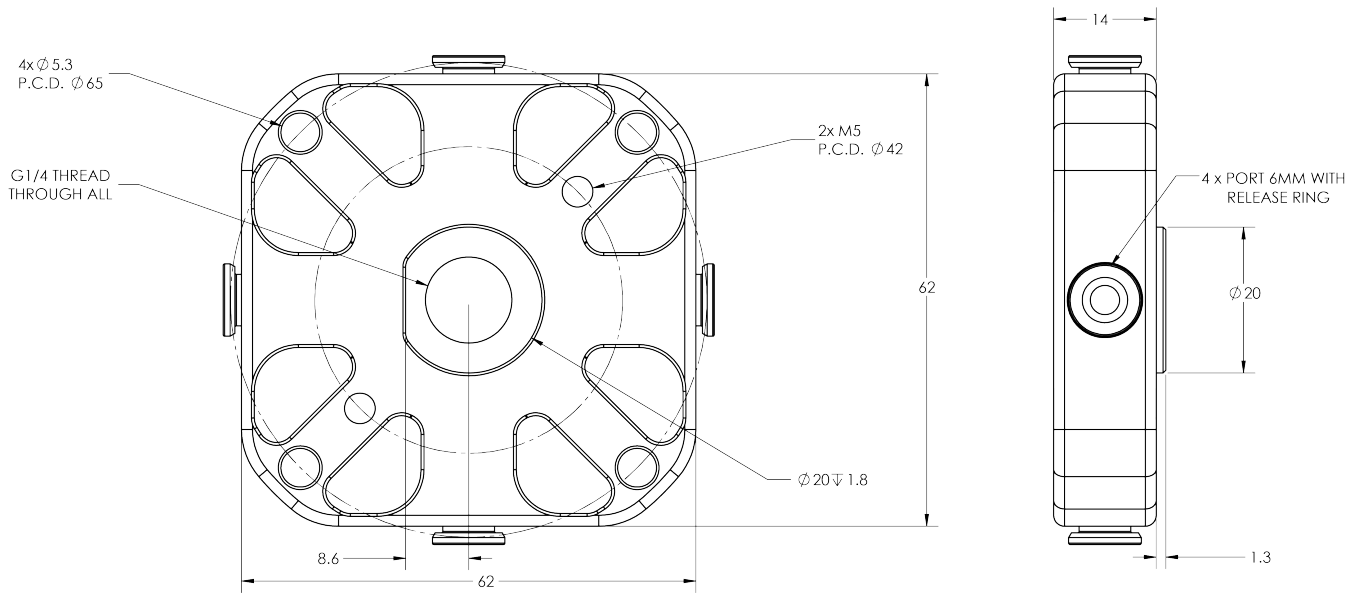
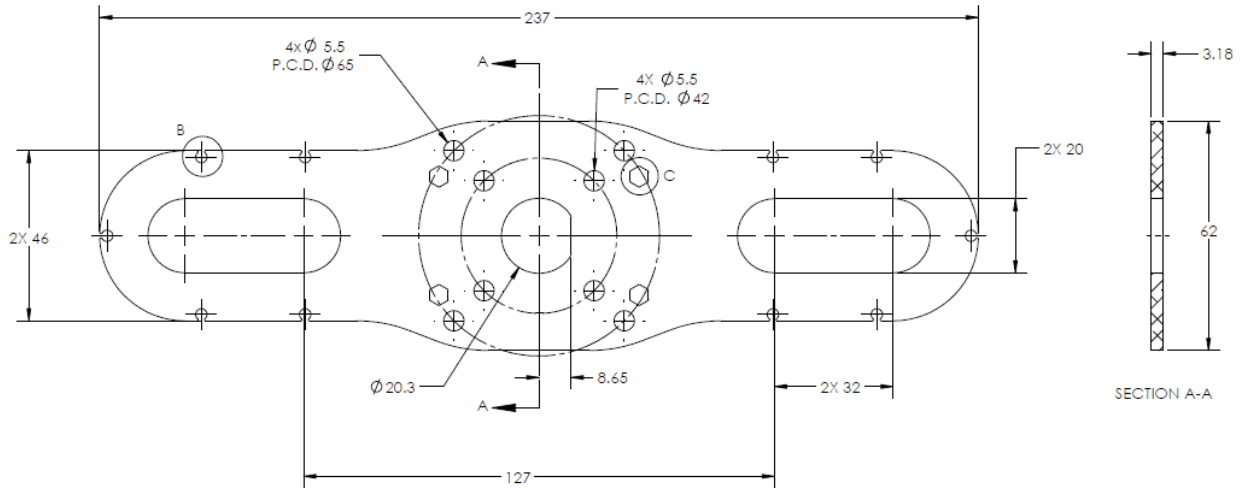


Fig. 6-2: Manifold general dimensions

### Bracket for 2 suction cups



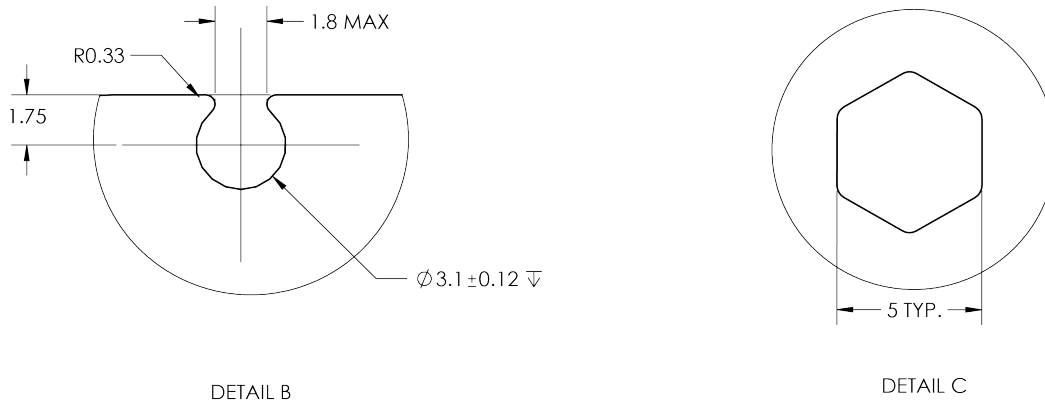
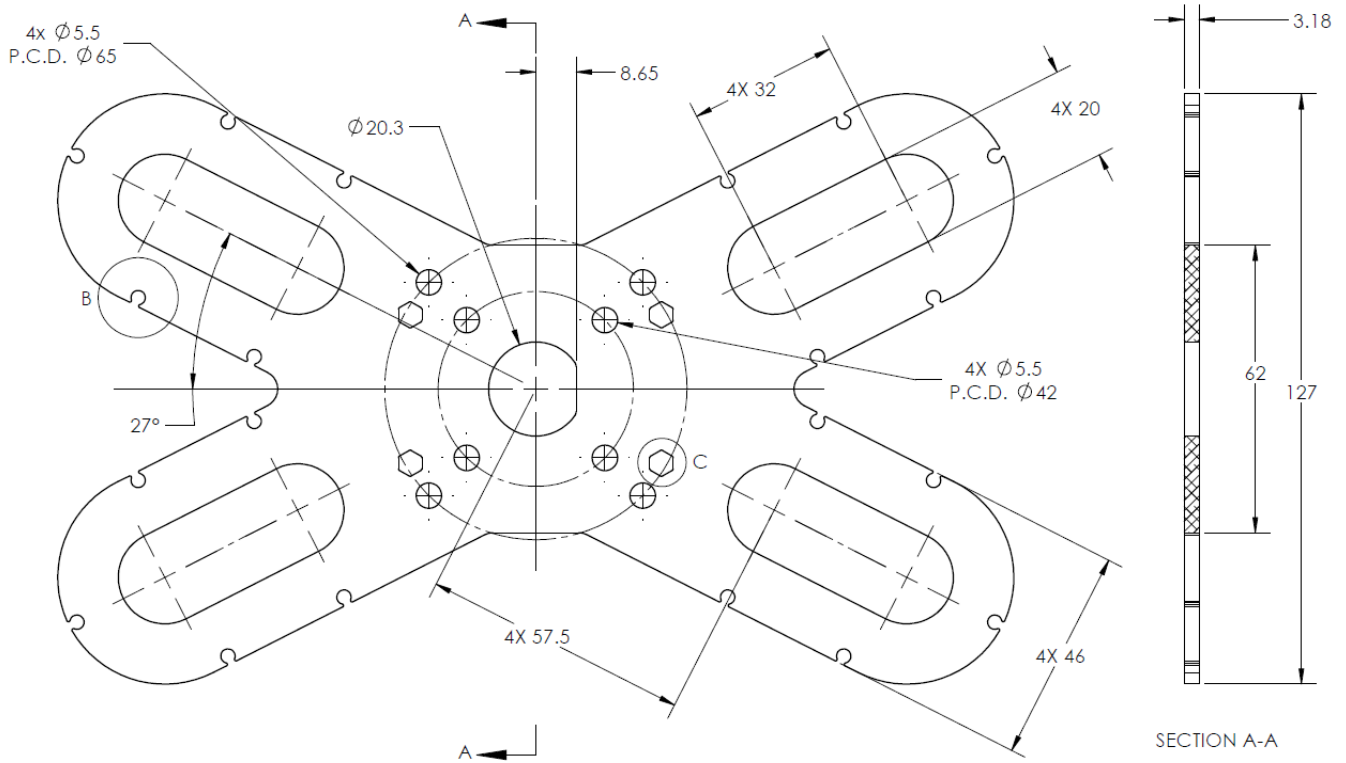


Fig. 6-3: Two air nodes bracket's dimensions

### Bracket for 4 suction cups



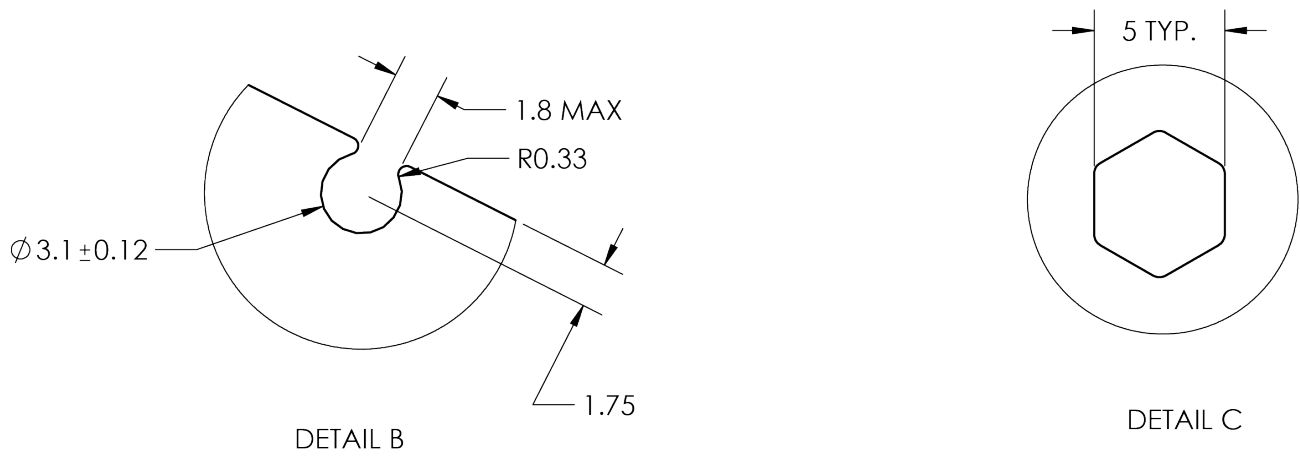


Fig. 6-4: Four air nodes bracket's dimensions

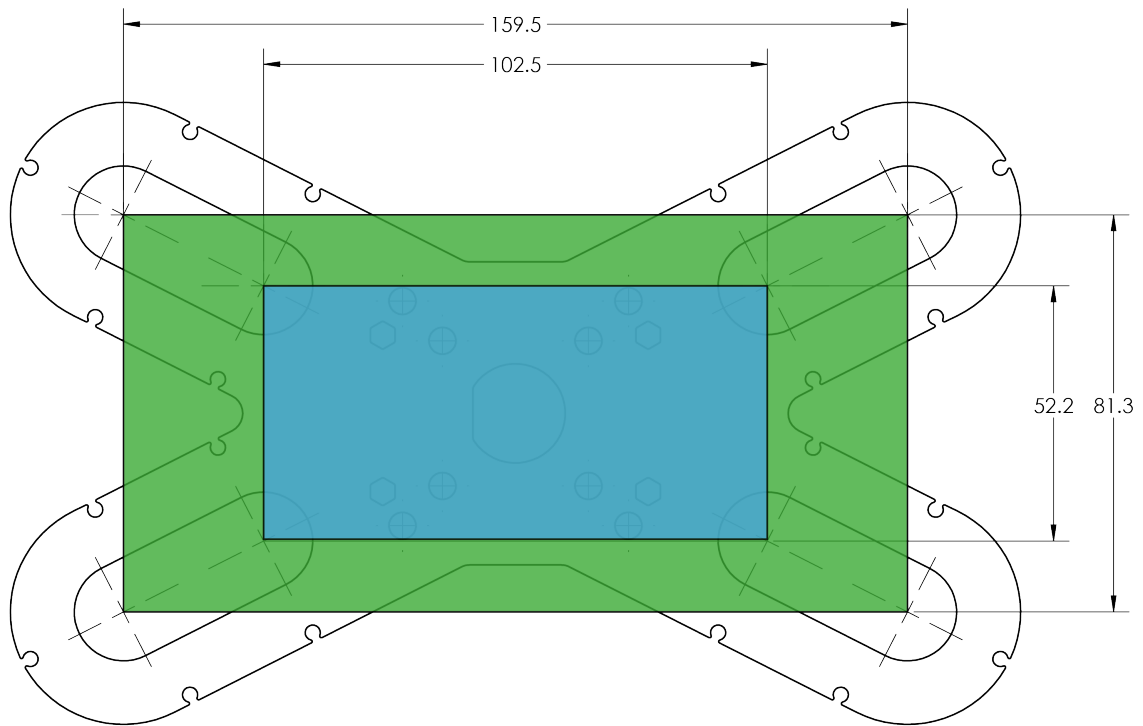


Fig. 6-5: Minimum and maximum arrangement possibilities of the air nodes position.

### 6.1.3. Air nodes

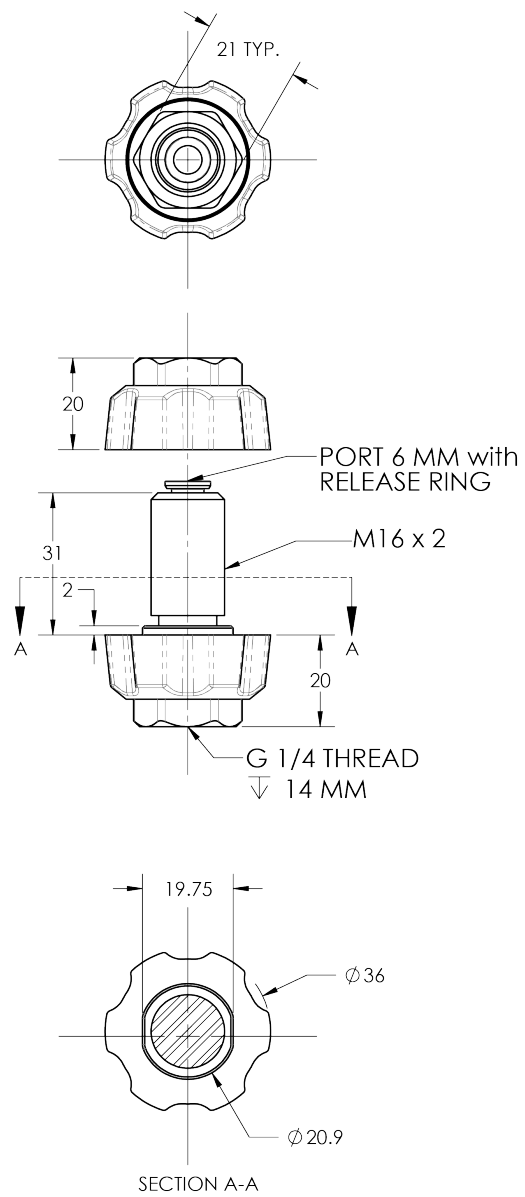


Fig. 6-6: Air nodes dimensions



## 6.1.4. Couplings

Operating the Vacuum Gripper requires a coupling provided by Robotiq. The coupling is mandatory since it integrates electronics and electrical contacts.

### Blank coupling

Below are the dimensions of the blank coupling, **AGC-CPL-BLANK-002** (refer to the **Spare Parts, Kits and Accessories** section), available to create a custom bolt pattern. Blue section can be fully customized (holes can be placed in any part of this section) while the grey section can only be worked to a depth of 3 mm.

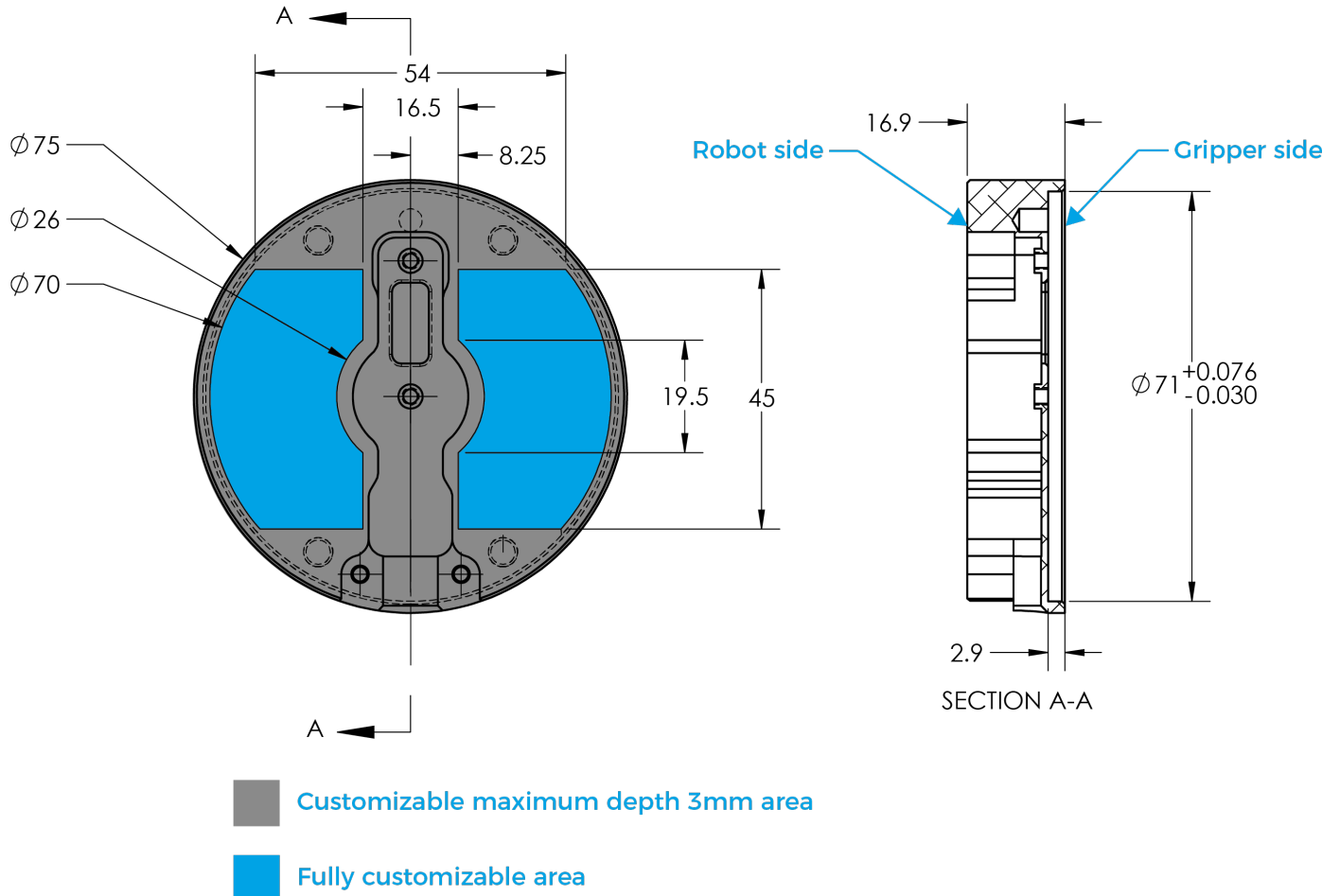


Fig. 6-7: Workable area dimensions of blank coupling AGC-CPL-BLANK-002





## Coupling for ISO 9409-1-50-4-M6

Bolt pattern for coupling GRP-CPL-062 and GRP-ES-CPL-062 (refer to the **Spare Parts, Kits and Accessories** section) is compatible with :

- 50 mm pitch circle diameter :
  - (4) M6-1.0 low head socket cap screw clearance
  - (1) M6 dowel pin
- ISO 9409-1 standard 50-4-M6

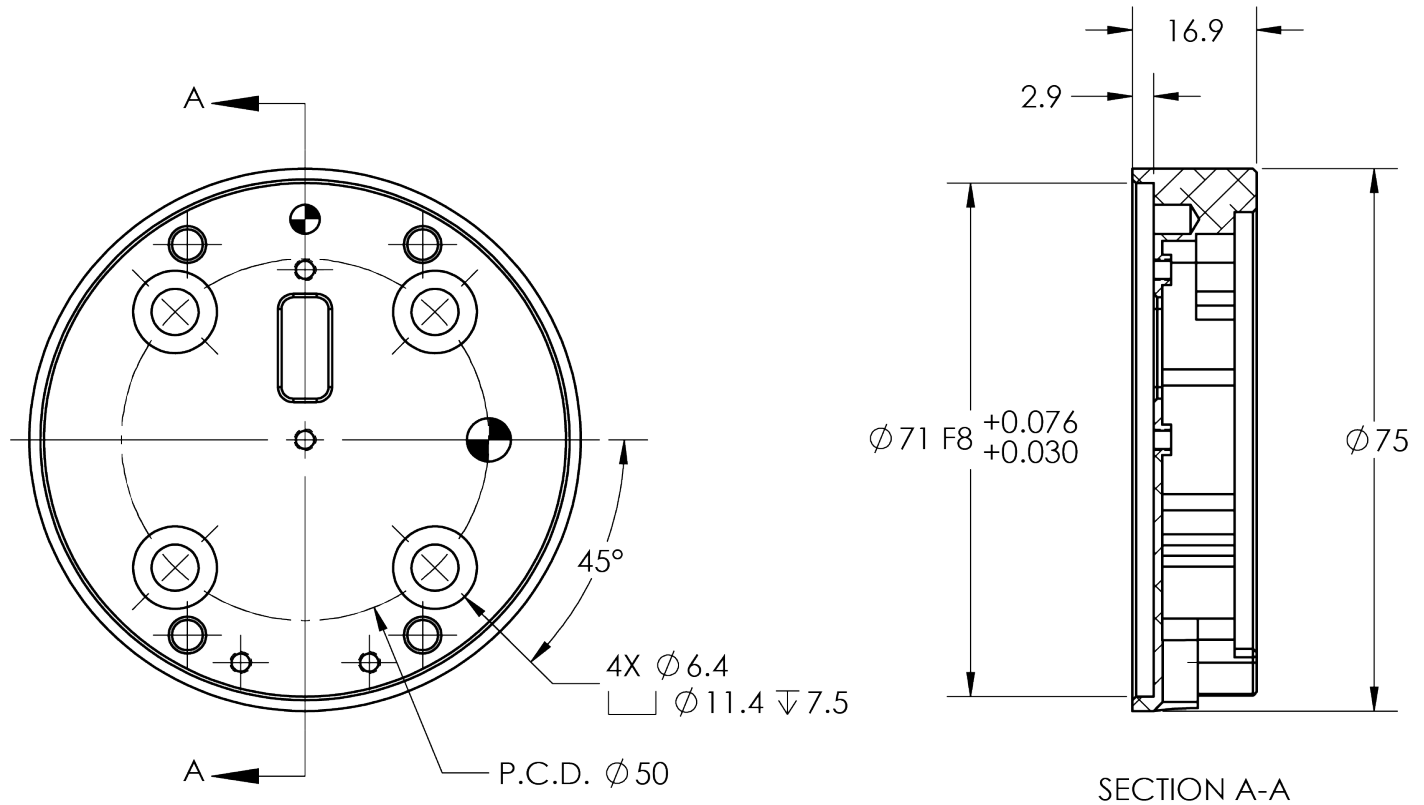


Fig. 6-8: Coupling for ISO 9409-1-50-4-M6.



## Coupling for ISO 9409-1-31.5-4-M5

Bolt pattern for coupling GRP-CPL-063 (refer to the **Spare Parts, Kits and Accessories** section) is compatible with :

- 31.5 mm pitch circle diameter :
  - (4) M5-0.8 low head socket cap screw clearance
  - (1) M5 dowel pin
- ISO 9409-1 standard 31.5-4-M5

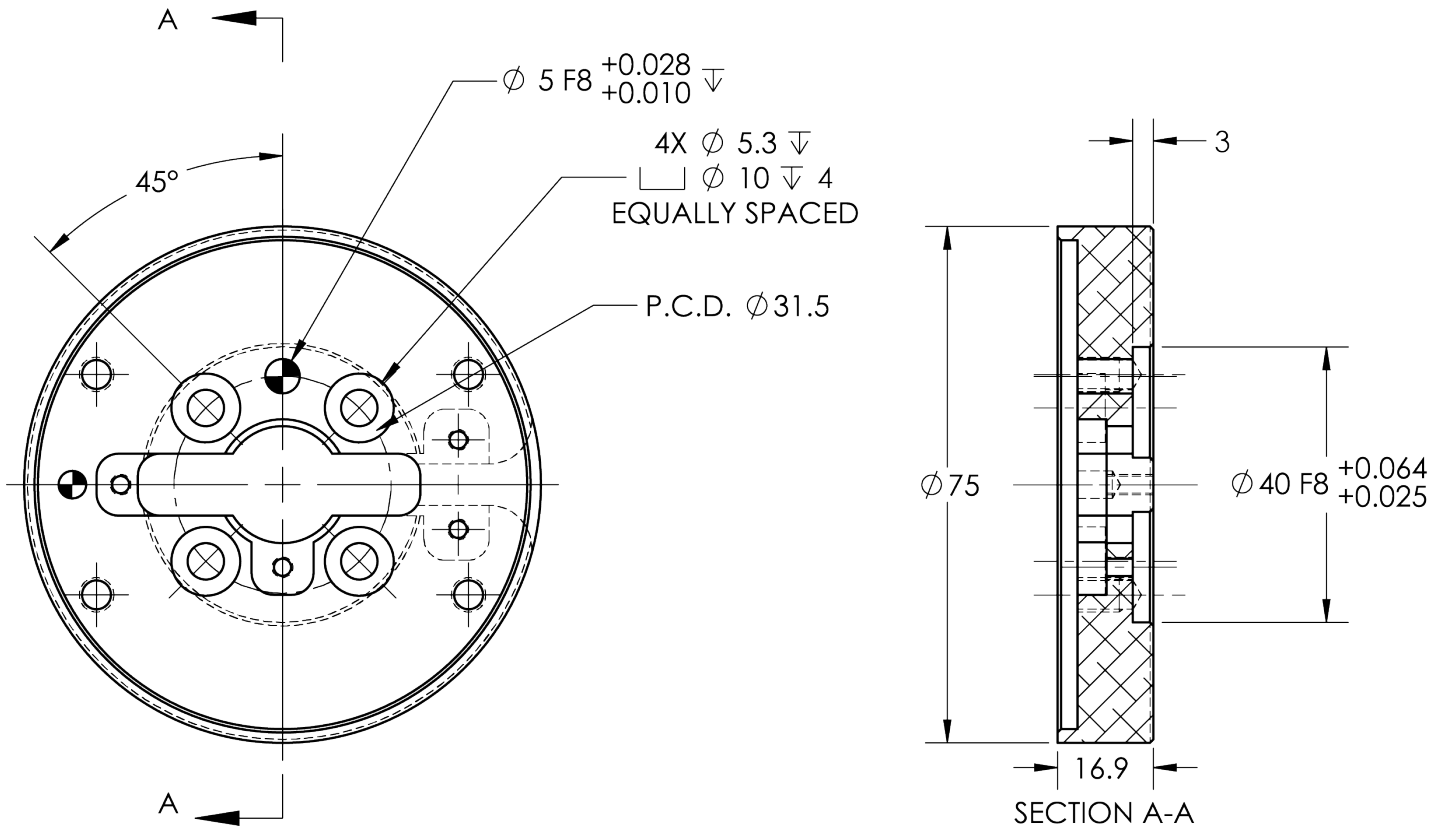


Fig. 6-9: Coupling for ISO 9409-1-31.5-4-M5.



## Coupling for ISO 9409-1-40-4-M6

Bolt pattern for coupling GRP-CPL-064 (refer to the **Spare Parts, Kits and Accessories** section) is compatible with :

- 40 mm pitch circle diameter :
  - (4) M6-1.0 low head socket cap screw clearance
  - (1) M6 dowel pin
- ISO 9409-1 standard 40-4-M6

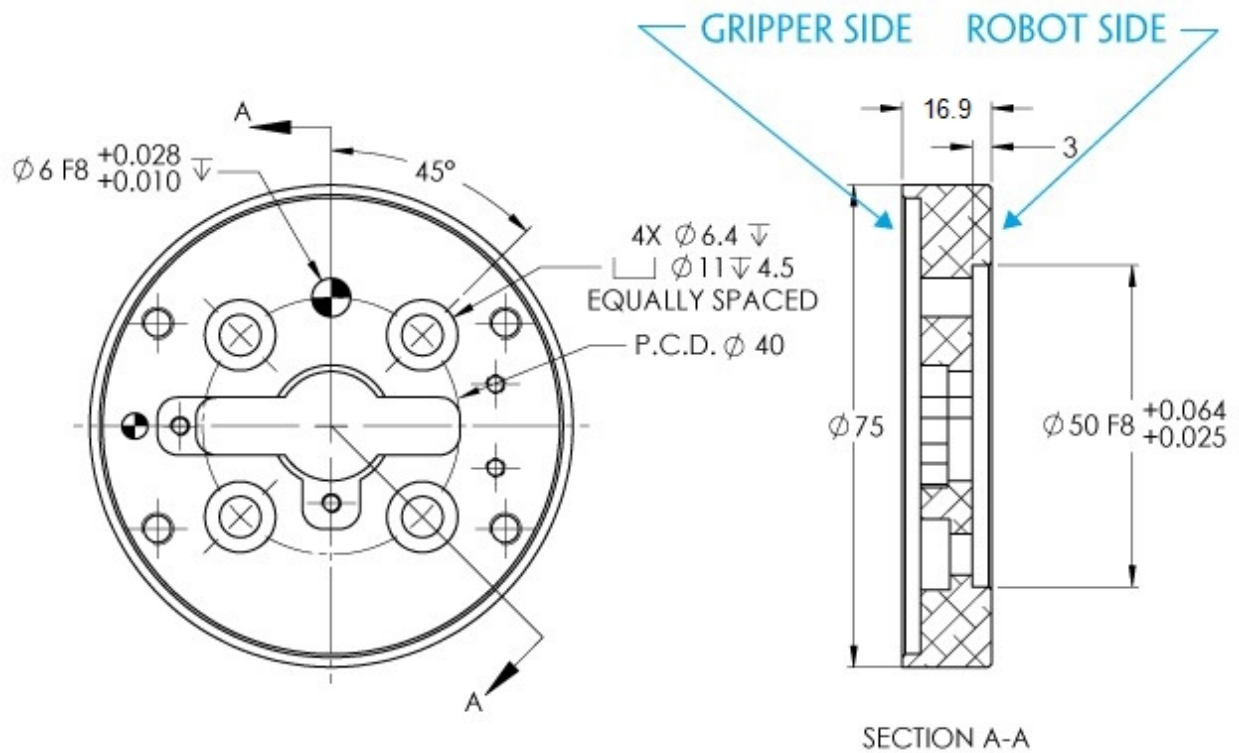


Fig. 6-10: Coupling for ISO 9409-1-40-4-M6.



## Coupling for PCD 56 with 8 x M4

Bolt pattern for coupling AGC-CPL-065-002 (refer to the **Spare Parts, Kits and Accessories** section) is compatible with :

- 56 mm pitch circle diameter :
  - (8) M4-0.7 low head socket cap screw clearance
  - (1) M4 dowel pin
  - 62 mm diameter internal insert

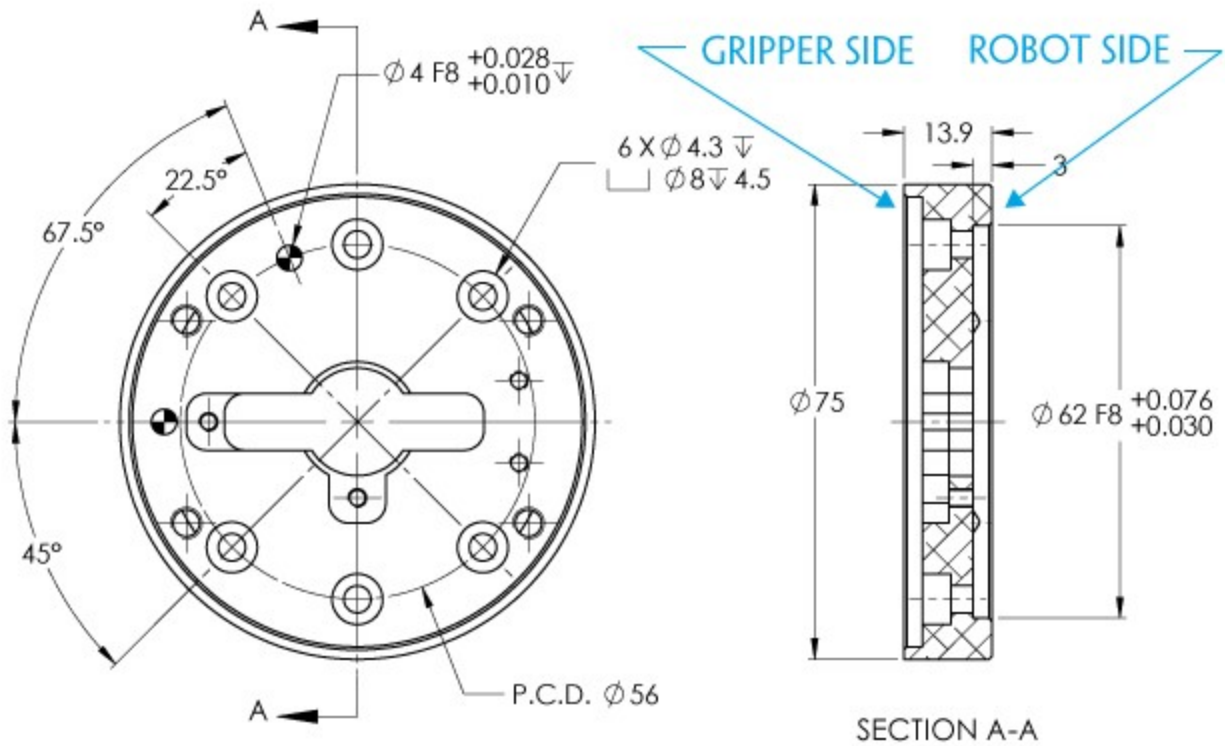


Fig. 6-11: Coupling for PCD 56 mm with 8 x M4 clearance.

### Info

Although coupling AGC-CPL-065-002 is compatible with 8 x M4 threads on a 56 mm PCD it uses only 6 of the 8 normally present holes.



## Coupling for PCD 56 with 6 x M4

Bolt pattern for coupling AGC-CPL-066-002 (refer to the Spare Parts, Kits and Accessories section) is compatible with:

- 56 mm pitch circle diameter:
  - (6) M4-0.7 low head socket cap screw clearance
  - (1) M6 dowel pin
  - 42 mm diameter external insert

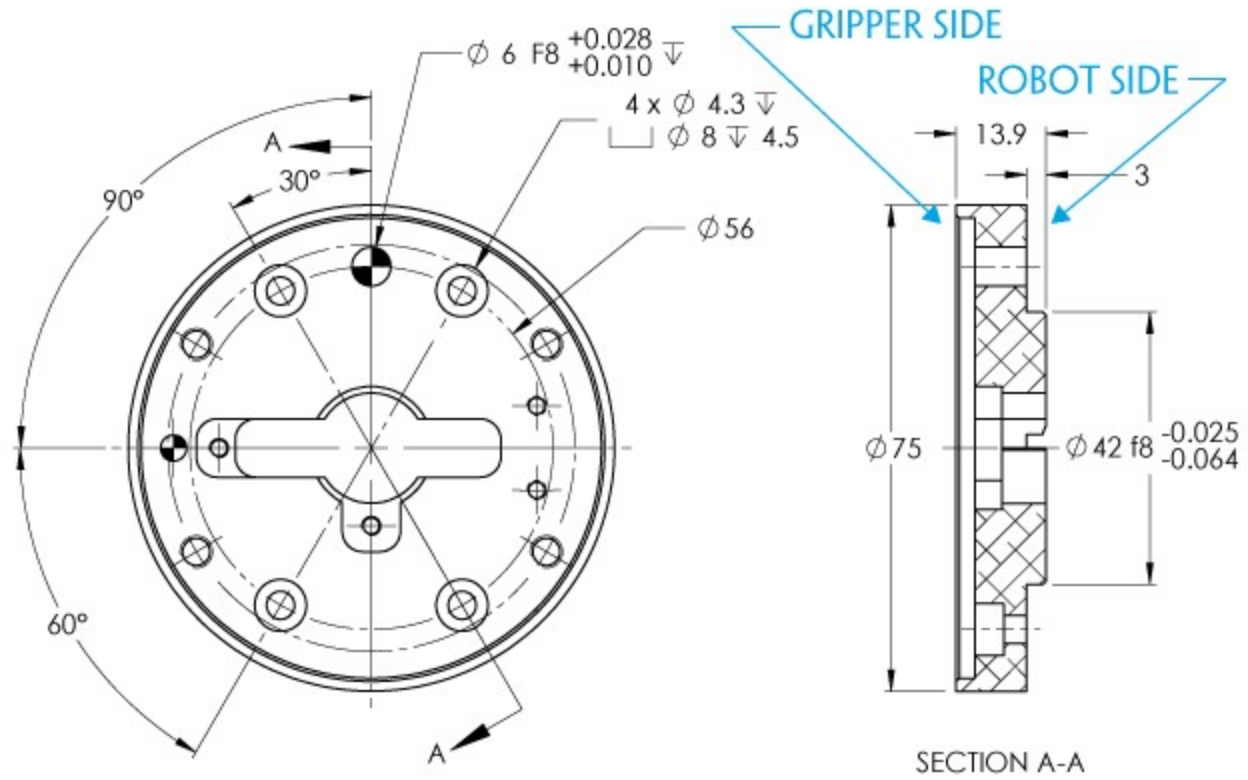


Fig. 6-12: Coupling for PCD 56 mm with 6 x M4 clearance.



## Coupling for PCD 60 with 4 x M5

Bolt pattern for coupling AGC-CPL-067-002 (refer to the **Spare Parts, Kits and Accessories** section) is compatible with :

- 60 mm pitch circle diameter :
- (4) M5-0.8 low head socket cap screw clearance
- (1) M5 dowel pin
- 34 mm diameter external insert

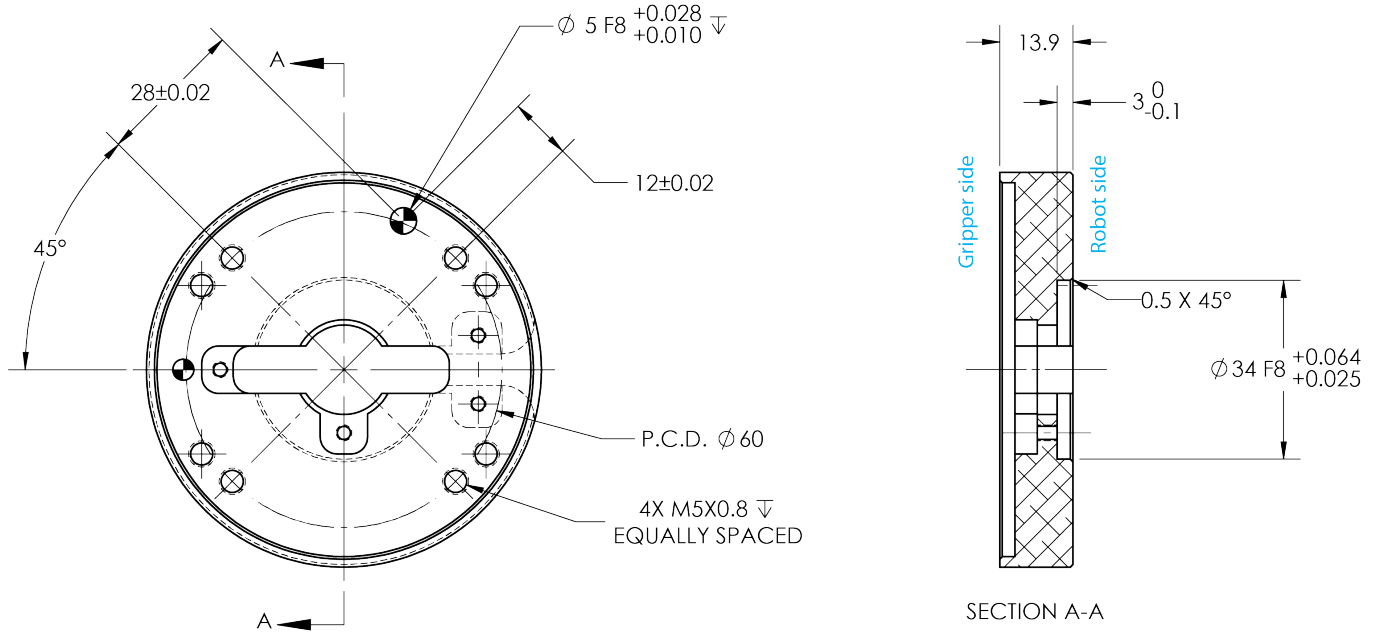


Fig. 6-13: Coupling for PCD 60 mm with 4 x M5 clearance.



## Coupling for PCD 63 with 6 x M6

Bolt pattern for coupling AGC-CPL-068-002 (refer to the **Spare Parts, Kits and Accessories** section) is compatible with :

- 63 mm pitch circle diameter :
  - (6) M6-1.0 low head socket cap screw clearance
  - (2) M6 dowel pins

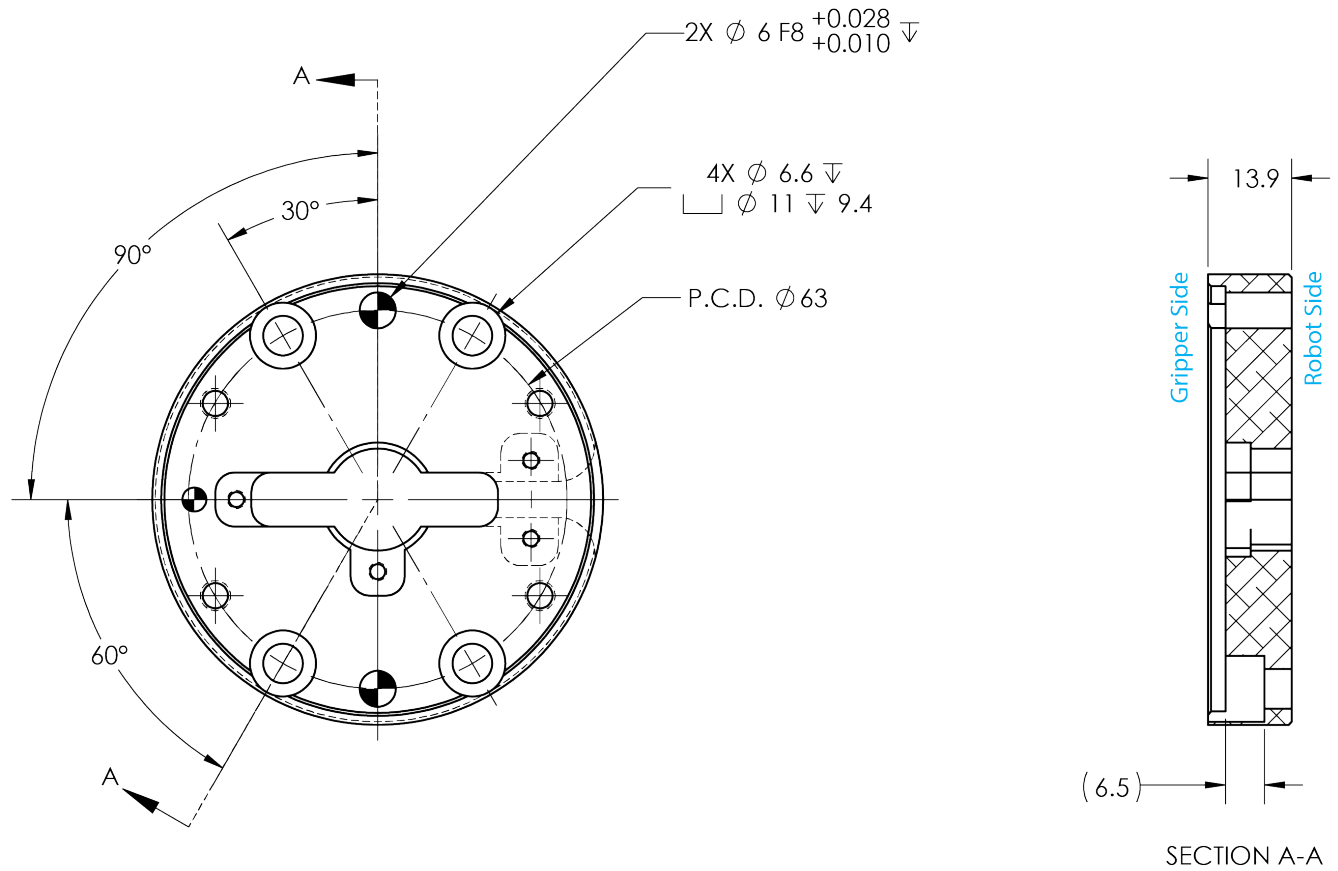


Fig. 6-14: Coupling for PCD 63 mm with 6 x M6 clearance.



## 6.2. Mechanical specifications

Specifications	EPick Vacuum Gripper	
	Metric Units	Imperial Units
Energy source	Electricity	
Gripper mass (including coupling)	788 g	1.73 lbs
Maximum vacuum level	80 %	
Maximum mean flow	12L/min	3.17 gal/min
Payload range <sup>1</sup>	0-16 kg	0-35 lbs
Gripping time <sup>2</sup>	150 ms	
Release time <sup>2</sup>	180 ms	
Noise level	64 dBa	
Maximum torque permissible by custom suction cup bracket	150 Nm / 110 lbf-ft	

<sup>1</sup> The payload range is for a non-porous surface with four suction cups of 55 mm diameter at 80% of vacuum level.

<sup>2</sup> The Gripping and Release time is the time for one suction cup of 40 mm and can vary according to the suction cups configuration and vacuum level.

*Table 6-1: Specifications of the EPick Gripper*

### Warning

Do not lift 16 kg with two suction cups. Exceeding 4.5 kg per air node could induce damage and should be avoided.

### Info

All specifications are measured with coupling **GRP-CPL-062**.





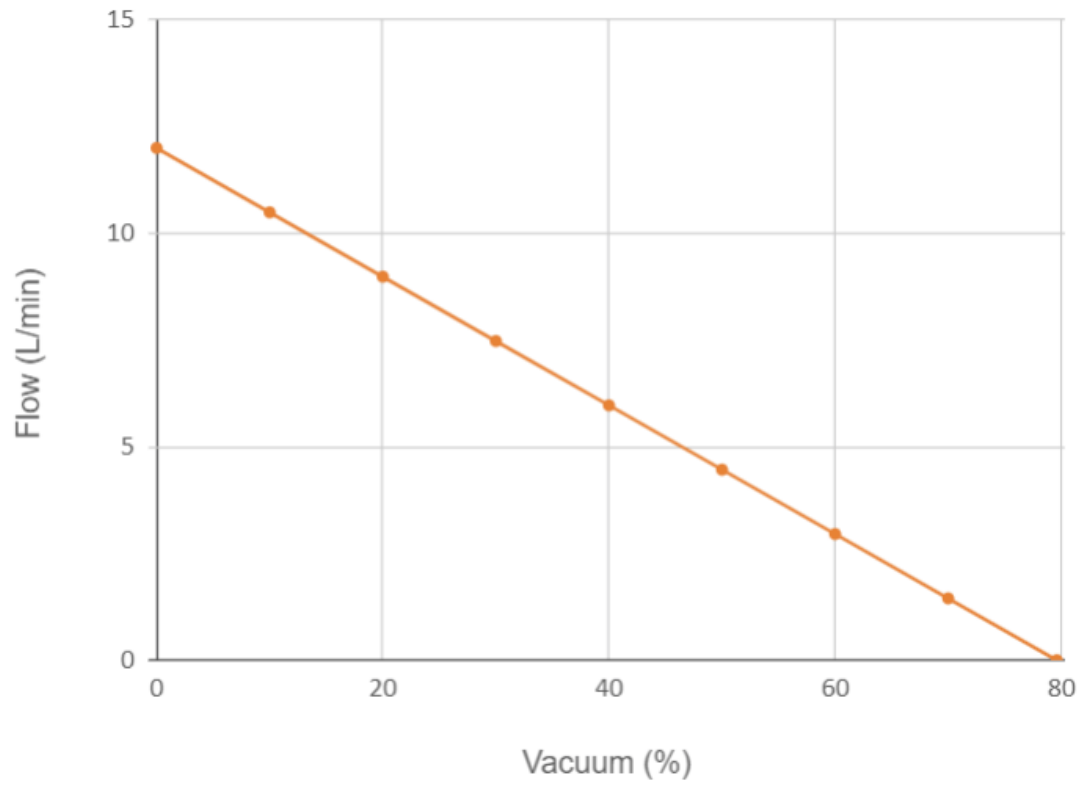


Chart 6-2: Flow (L/min) vs Vacuum (%)



## 6.2.1. Payload and force

When a load is to be picked by a Vacuum Gripper, several factors have to be considered. One of them is the vacuum level percentage selected. This value represents the pressure difference between the inside of the system and the ambient pressure. This table is valid for a nominal atmospheric pressure of 101.3 kPa.

Vacuum level (%)	Pressure difference (kPa)
0	0
10	10.1
20	20.3
30	30.4
40	40.5
50	50.7
60	60.8
70	70.9
80	81.1
90	91.2
100	101.3

Table 6-3: Conversion of absolute pressure to vacuum level

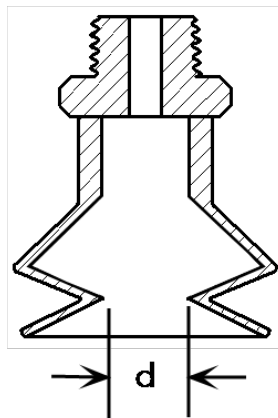


Fig. 6-15: Suction cup with inside diameter



Depending on the selected suction cup, the maximum grip strength can be determined with the following equation:

$$F_p(N) = \frac{A \times P \times n}{1000}$$

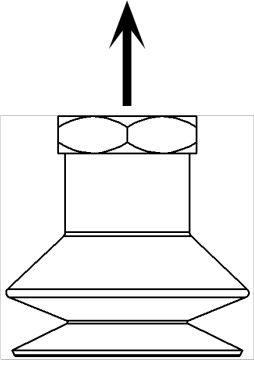
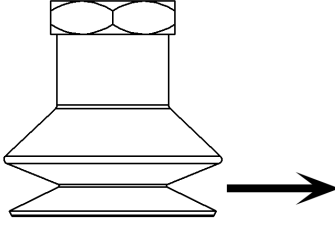
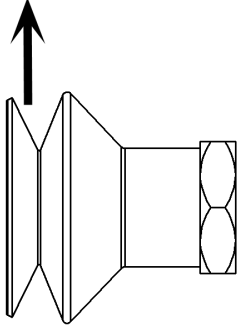
Where:

- A= Suction cups internal surface (mm<sup>2</sup>)
- P= Vacuum Level (kPa)
- n= Quantity of suction cups to lift-off

For more details, please refer to the specifications provided by the suction cup manufacturer.

The payload is the mass to be lifted according to an acceleration and an applied safety factor. There are three main types of load application that are represented in the following cases. Note that the arrows represent the robot movement.



Case #1	Case #2	Case #3
		
$F_c = m \times (g + a) \times S$	$F_c = m \times \left(g + \frac{a}{\mu}\right) \times S$	$F_c = \frac{m}{\mu} \times (g + a) \times S$

Where:

- $m$  = mass (kg)
- $g$  = gravitational acceleration (m/s<sup>2</sup>)
- $a$  = robot acceleration (m/s<sup>2</sup>)
- $\mu$  = friction coefficient
- $S$  = safety factor

The maximum grip strength of the suction cup must always be bigger than the payload ( $F_p > F_c$ ) to guarantee the good grip of the piece. Robotiq recommends a minimum security factor of 2 in every case. However, a factor 4 is recommended for the next situations:

- Low friction coefficient
- Important robot acceleration
- Non-uniform surface
- Porous surface
- Unequal distribution of the payload in regards to the suction cups

Two categories of material can be lifted by the vacuum gripper: porous and non-porous. A non-porous material is defined as a material where air leakages are negligible and where it is possible to precisely attain a vacuum percentage between 10 and 80%.



## Example 1: Non-porous material

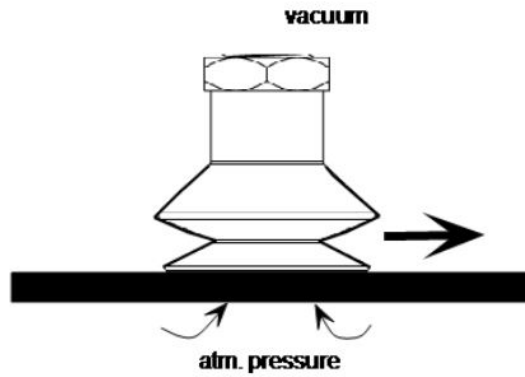


Fig. 6-16: Non-porous material

### Initial data:

- Material type: non-porous
- Application type: Case #2
- Suction cup diameter (d): 40 mm (r=20 mm)
- Percentage of vacuum: 60% (which is equivalent to 60.8 kPa, according to the conversion table above)
- Mass: 2 kg
- Acceleration: 1.2 m/s<sup>2</sup>
- n = 4

$$F_p(N) = \frac{A \times P \times n}{1000}$$

$$A = \pi \times r^2$$

$$A = 1256,6 \text{ mm}^2$$

$$F_p(N) = \frac{1256,6 \times 60,8 \times 4}{1000}$$

$$F_p(N) = 305,6 \text{ N}$$

### Case #2

- m = 2 kg
- g = 9.81 m/s<sup>2</sup>
- a = 1.2 m/s<sup>2</sup>



- $S = 4$  (recommended)
- $\mu = 0.5$

$$F_c = m \times \left( g + \frac{a}{\mu} \right) \times S$$

$$F_c = 2 \times \left( 9,81 + \frac{1,2}{0,5} \right) \times 4$$

$$F_c = 97,7 \text{ N}$$

Validation that  $F_p > F_c$  :  $305.6 \text{ N} > 97.7 \text{ N}$

Since  $305.6 \text{ N} > 97.7 \text{ N}$  , the rule is respected and we can ensure the good grip of the part.

The following graph represents the recommended acceleration in function of the payload when the Vacuum Gripper is used with the Robotiq brackets and accessories. Note that the optimal suction cup choice is represented.

#### Info

- Maximum acceleration with Universal Robot:  $150 \text{ m/s}^2$
- Default speed with Universal Robots:  $1.2 \text{ m/s}$
- Maximum acceleration recommended by Universal Robots for an optimistic robot lifetime:  $2.5 \text{ m/s}^2$

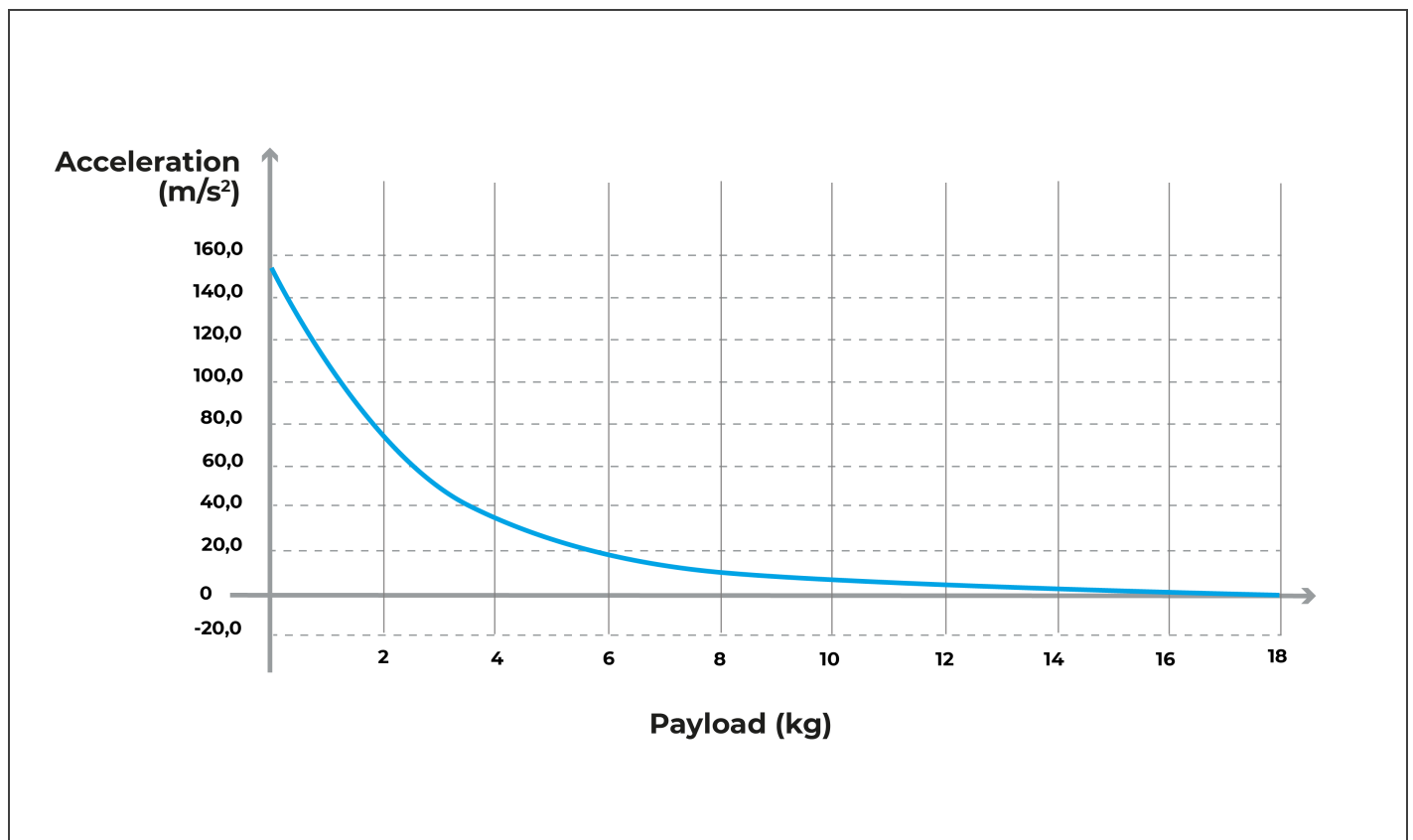


Fig. 6-17: Acceleration of the robot in function of the Vacuum payload



## Example 2: Porous material

For porous material, non-negligible air leakages can be observed. Therefore, the use of the EPick is not recommended. Considering that, the Vacuum Gripper will work in a continuous mode to compensate leakages and the reached vacuum will depend on 4 main factors:

1. Pump flow rate
2. The model of suction cups
3. Porosity of materials
4. Payload to lift

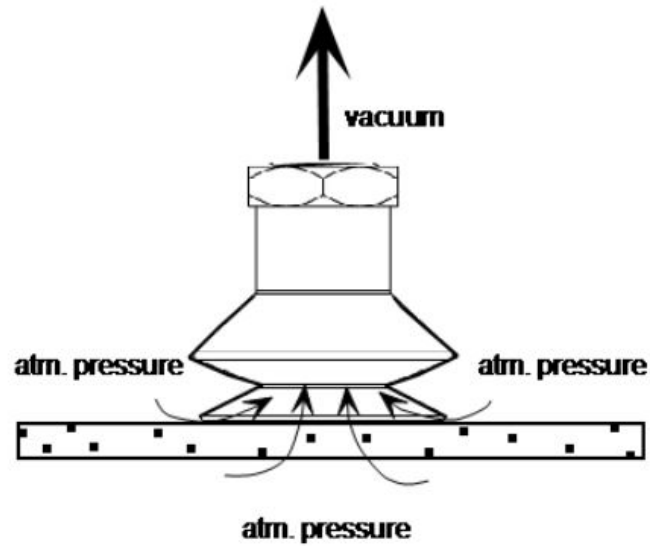
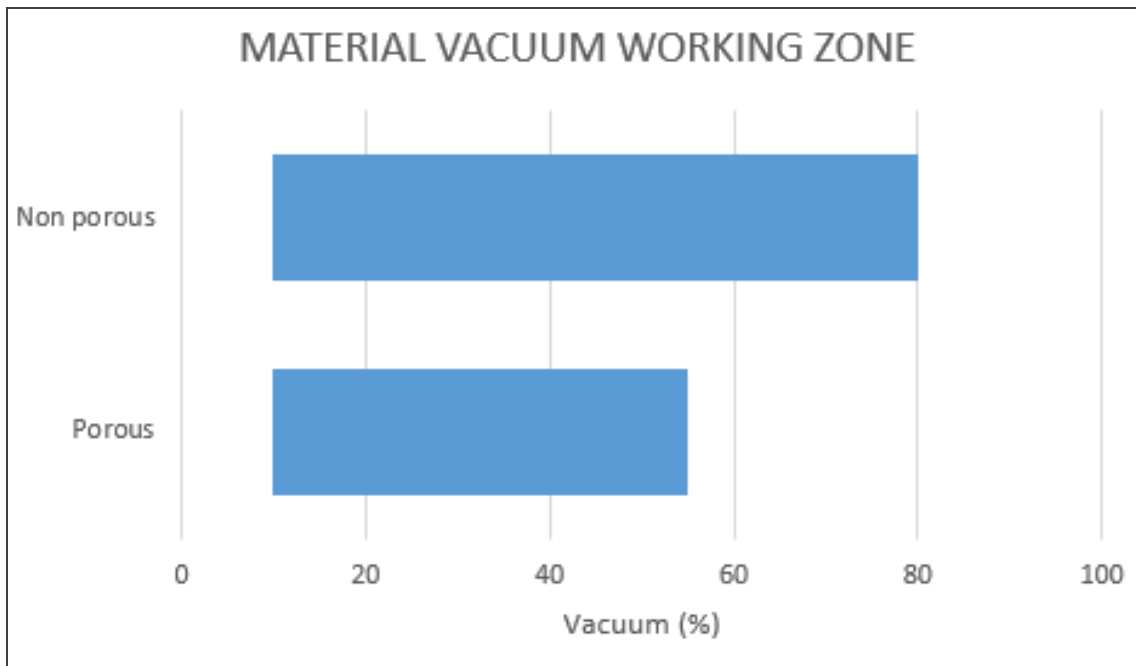


Fig. 6-18: Porous material



**Info**

Robotiq recommends to do some tests to determine the maximum grip strength of the suction cup, depending on the selected material to lift. It is not recommended to operate the robot with vacuum levels lower than 10%.

**Info**

Cardboard material should give percentage vacuum values lower than 15%.

**Initial data:**

- Material type: porous
- Application type: Case #1

**Case #1**

$$F_c = m \times (g + a) \times S$$

- $m = 0.2 \text{ Kg}$
- $g = 9.81 \text{ m/s}^2$
- $a = 1.2 \text{ m/s}^2$
- $S = 4$  (recommended)





$$F_c = 0,2 \times (9,81 + 1,2) \times 4$$

$$F_c = 8,8 \text{ N}$$

A test has been made with this material and it was statistically possible (without any acceleration) to pick a mass of 1 kg.

$$F_p = 1 \times 9,81 \text{ m/s}^2$$

$$F_p = 9,81 \text{ N}$$

Since,  $F_p > F_c$  ( $9.81\text{N} > 8.8 \text{ N}$ ), it is possible to lift a mass of 0.2 kg, as required.



## 6.2.2. Center of mass and tool center point

The following table contains Center of mass and TCP for EPick with and without the available suction cup kits.

Products	Center of mass (mm)			TCP (mm)			Mass (g)
	X	Y	Z	X	Y	Z	
EPick (without suction cups)	0.0	0.0	51.0	0.0	0.0	113.0	788
EPick (with one suction cup)	0.0	0.0	54.3	0.0	0.0	145.0	823
EPick (with two suction cups)	0.0	0.0	79.5	0.0	0.0	196.0	1198
EPick (with four suction cups)	0.0	0.0	89.4	0.0	0.0	196.0	1423

Table 6-4: Center of mass and tool center point matrix.

### Info

For TCP and center of mass of the EPick used in combination with other Robotiq products, please consult the specific table provided on our [support website](#).

The coordinate system used to calculate the moment of inertia and center of mass of the Vacuum Gripper is shown in the figure below.

$$I = \begin{bmatrix} I_{XX} & I_{XY} & I_{XZ} \\ I_{YX} & I_{YY} & I_{YZ} \\ I_{ZX} & I_{ZY} & I_{ZZ} \end{bmatrix} = \begin{bmatrix} 3084 & 0 & 0 \\ 0 & 2999 & 0 \\ 0 & 0 & 546 \end{bmatrix} = \begin{bmatrix} 10.5 & 0 & 0 \\ 0 & 10.2 & 0 \\ 0 & 0 & 1.6 \end{bmatrix}$$

$\text{kg} \cdot \text{mm}^2$ 
 $\text{lb} \cdot \text{in}^2$

Fig. 6-19: Inertia matrix for EPick Gripper.



## 6.2.3. Moment Limitation

The Vacuum Gripper has a maximum moment. The listed moment is independent to the force applied by the Gripper itself on it's payload. For payload calculation, refer to the **Mechanical specifications** section.

### Warning

The following limits must be respected at all time. Calculation of maximum moment should include the robot acceleration and a safety factor.

Parameters	Maximum Value
Total moment	150 Nm

Table 6-5: Moment limitation of the Vacuum Gripper

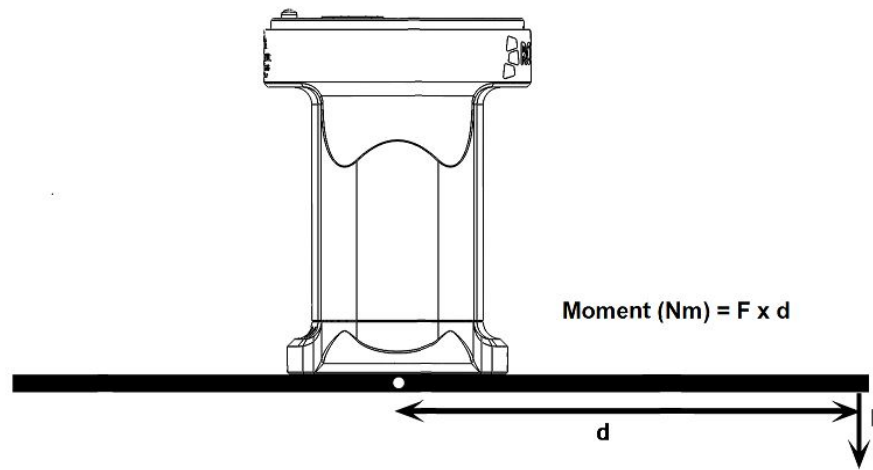


Fig. 6-20: EPick Moment limitation

## 6.3. Electrical specifications

SPECIFICATION	VALUE
Operating supply voltage	24 VDC $\pm$ 10%
Quiescent power (minimum power consumption)	1 W
Peak current	1.8 A for 80 ms when vacuum pump starts



SPECIFICATION	VALUE
Minimum Peak	600 mA (with current limitations)

*Table 6-6: Vacuum Gripper electrical specifications*



# 7. Maintenance

The Vacuum Gripper only requires external maintenance with limited downtime. Maintenance is required after specified usage, measured in cycles (workpiece pick-up and release) or use time (hours).

Following the maintenance interval will ensure :

- Correct functioning of the Vacuum Gripper.
- Validity of the warranty.
- Proper lifetime of the Vacuum Gripper.

## Warning

Unless specified, any **repairs** done on the Vacuum Gripper will be done by Robotiq.

Operation	Daily	Monthly	1 M cycles or 1000 hours
Gripper Cleaning	Dirty conditions	Normal conditions	
Periodic Inspection			X

Table 7-1: Vacuum Gripper maintenance intervals

## Caution

Maintenance operations are for the average normal usage of the Vacuum Gripper, the maintenance intervals must be adjusted according to the environmental conditions such as:

- Operating temperature
- Humidity
- Presence of chemical(s)
- Presence of physical objects (debris, scraps, dust, grease etc.)
- Interaction with operated parts (sharp or rough)
- Dynamics of the operation (accelerations)



## 7.1. Vacuum Gripper cleaning

Maintenance Interval	Tools you need	Parts you need
<p>Monthly (or daily in dirty operating conditions)</p>	<ul style="list-style-type: none"> <li>• 4 mm hex key</li> <li>• Dry tissue or towel</li> <li>• Medium strength thread locker</li> <li>• Retaining ring plier</li> </ul>	<p>Replacement filter (if required)</p>

Table 7-2: Vacuum Gripper cleaning intervals

### Caution

The EPick Vacuum Gripper is not waterproof or water resistant without additional protection, only clean the Gripper with a dry towel.

### Caution

Always turn off the robot, the Vacuum Gripper power supply before performing any maintenance operation on it.

### Caution

Maintenance operator must be grounded to prevent electrostatic discharge that could damage the Vacuum Gripper electronics.

### Caution

Do not use compressed air to clean the Vacuum Gripper. Doing so can result in a damage to the check valve or the release valve.

1. Remove the Vacuum Gripper from its coupling using the 4 mm hex key to unscrew the four (4) M5-0.8 x 25 mm socket head cap screws. Note that each screw uses a tooth lock washer, do not discard.
2. Clean the Vacuum Gripper with a dry towel, remove all debris, dirt and dust from its surface. Clean all suction cups. Dry thoroughly. Inspect the input filter to determine if it needs to be changed or not.
3. If the input filter needs to be changed, follow the steps:
  - i. Remove the retaining ring.
  - ii. Remove the old input filter.
  - iii. Install the new one and put back the retaining ring.



### Tip

If the input filter needs to be changed, we recommend you to get a retaining ring plier for internal retaining rings of 0.038" tip diameter to help you replace it.

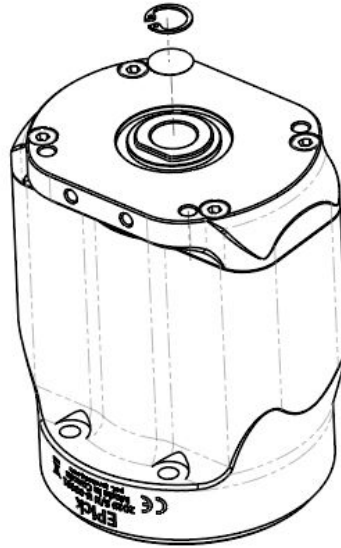


Fig. 7-1: EPick input filter change

4. Clean the coupling with a dry towel and pay a particular attention to the electrical contact.
5. Visually inspect the Vacuum Gripper and pay attention to any visible damage.
6. Put the coupling back on and secure using the four (4) M5-0.8 x 25 mm socket head cap screws. Use the tooth lock washers. Apply medium strength thread locker to the M5 screws.

When cleaning the Vacuum Gripper verify the wear of the suction cup. If wear is visible, change the suction cup. Please refer to the **Spare Parts, Kits and Accessories** section to order EPick replacement parts.

## 7.2. Periodic inspection

Maintenance Interval	Tools You Need	Parts You Need
Monthly	<ul style="list-style-type: none"><li>• Flat head precision 2 mm screwdriver</li><li>• Dry tissue or towel</li><li>• Medium strength thread locker</li></ul>	None (unless damage is detected)

Table 7-3: EPick Gripper inspection intervals.



**Info**

Always turn off the robot and the Vacuum Gripper power supply before performing any maintenance operations.

1. Remove and clean the Vacuum Gripper following instructions in the **Vacuum Gripper cleaning** section.
2. Inspect the Vacuum Gripper :
  - a. Check for any collision damage. If damage is visible, contact [support@robotiq.com](mailto:support@robotiq.com).
  - b. Check for any sign of wear on the Vacuum Gripper chassis. If wear is present and may affect the Vacuum Gripper, contact [support@robotiq.com](mailto:support@robotiq.com).
3. Put the Vacuum Gripper back in place according to the instructions from the **Vacuum Gripper cleaning** section.

## Suction cups and air nodes

Depending on your setup, mount the appropriate number of suction cups to their mating air bolts. If you need more information about the suction cups installation, please refer to **Suction cup system** section.

**Warning**

Any unused manifold port should be covered with a provided port plug to avoid air leakage.





## 8. Spare Parts, Kits and Accessories

### Info

The following list is up to date at print time and is subject to change, check online for updates.

### Info

Unless specified, screws, dowel pins and other hardware are included only for the Gripper side, never for the robot side.

Spare parts, kits and accessories list:

Item	Description	Ordering Number (1 Cup)	Ordering Number (2 Cups)	Ordering Number (4 Cups)
Kit for <i>Universal Robots</i> (CB-Series)	EPick Kit for CB-Series UR	VAC-CB-UR-EPICK-KIT1	VAC-CB-UR-EPICK-KIT2	VAC-CB-UR-EPICK-KIT4
Small Suction Cup Kit	<ul style="list-style-type: none"> <li>1 Adapter G1/4 to G1/8</li> <li>1 Suction Cup (1.5 Bellows, Ø 30 mm)</li> <li>1 Suction Cup (1.5 Bellows, Ø 15 mm)</li> </ul>	VAC-SML-CUP-KIT-1		
2 Suction Cups System Kit	2 Suction Cups System Kit : <ul style="list-style-type: none"> <li>2 x Suction Cups (1.5 bellows, Ø 40 mm)</li> <li>2 x Suction Cups (1.5 Bellows, Ø 55 mm)</li> <li>1 x manifold</li> <li>1 x bracket</li> <li>4 x air plugs</li> <li>2 x air nodes</li> <li>required tubing</li> </ul>	VAC-SCS-KIT2		



Item	Description	Ordering Number (1 Cup)	Ordering Number (2 Cups)	Ordering Number (4 Cups)
4 Suction Cups System Kit	4 Suction Cups System Kit : <ul style="list-style-type: none"> <li>• 4 Suction Cups (1.5 bellows, Ø 40 mm)</li> <li>• 4 Suction Cups (1.5 Bellows, Ø 55 mm)</li> <li>• 1 x manifold</li> <li>• 1 x bracket</li> <li>• 4 x air plugs</li> <li>• 4 x air nodes</li> <li>• required tubing</li> </ul>	VAC-SCS-KIT4		
Suction Cup Bracket for 2 cups	Vacuum Suction Cup Mounting Bracket for 2 cups	VAC-SCS-PLATE-2		
Suction Cup Bracket for 4 cups	Vacuum Suction Cup Mounting Bracket for 4 cups	VAC-SCS-PLATE-4		
Air node Plug and Play	Air node Plug and Play	VAC-SCS-NODE		
2 Suction Cups (Ø 40 mm)	2 Suction Cups (1.5 Bellows, Ø 40 mm)	VAC-SCS-CUP40-2		
2 Suction Cups (Ø 55mm)	2 Suction Cups (1.5 Bellows, Ø 55 mm)	VAC-SCS-CUP55-2		
Replacement filter	Filter for vacuum generator	VAC-SCS-FILTER		
EPick Wrist connection Kit UR CB-Series/ One (1) cup	EPick Gripper, I/O Coupling Kit for Universal Robots CB-Series, 1 Suction Cup	VAC-CB-UR-EPICK-KIT1-W		
EPick Wrist connection Kit UR CB-Series/ Two (2) cups	EPick Gripper, I/O Coupling Kit for Universal Robots CB-Series, 1 Suction System for two (2) cups	VAC-CB-UR-EPICK-KIT2-W		
EPick Wrist connection Kit UR CB-Series/ Four (4) cups	EPick Gripper, I/O Coupling Kit for Universal Robots CB-Series, 1 Suction System for four (4) cups	VAC-CB-UR-EPICK-KIT4-W		



Item	Description	Ordering Number (1 Cup)	Ordering Number (2 Cups)	Ordering Number (4 Cups)
Blank coupling	Blank coupling for Adaptive Robot Gripper 2-Finger, with screws for Gripper fixation and 1 m pigtail cable		AGC-CPL-BLANK-002	
ISO-9409-1-50-4-M6 coupling (coupling-to-wrist) for UR e-Series robots	ISO 9409-1-50-4-M6 coupling for 2-Finger Robot Grippers, with screws for Gripper fixation		GRP-ES-CPL-062	
ISO 9409-1-50-4-M6 coupling (coupling to controller)	ISO 9409-1-50-4-M6 coupling for 2-Finger Robot Grippers, with screws for Gripper fixation and 1 m pigtail cable		GRP-CPL-062	
ISO 9409-1-31.5-4-M5 coupling	ISO 9409-1-31.5-4-M5 coupling for Adaptive Robot Gripper 2-Finger, with screws for Gripper fixation and 1 m pigtail cable		GRP-CPL-063	
ISO 9409-1-40-4-M6 coupling	ISO 9409-1-40-4-M6 coupling for Adaptive Robot Gripper Gripper 2-Finger, with screws for Gripper fixation and 1 m pigtail cable		GRP-CPL-064	
56-8M4-1D4 coupling	Coupling for 56 mm PCD1 with (8) M4 and (1) 4 mm indexing pin, with screws for 2-F Gripper fixation and 1 m pigtail cable		AGC-CPL-065-002	
56-6M4-1D6 coupling	Coupling for 56 mm PCD1 with (6) M4 and (1) 6 mm indexing pin, with screws for 2-F Gripper fixation and 1 m pigtail cable		AGC-CPL-066-002	
60-4Ø5-1D5 coupling	Coupling for 60 mm PCD1 with (4) M5 thread and (1) 5 mm indexing pin, with screws for 2-F Gripper fixation and 1 m pigtail cable		AGC-CPL-067-002	
63-6M6-2D6 coupling	Coupling for 63 mm PCD1 with (6) M6 and (2) 6mm indexing pins, with screws for 2-F Gripper fixation and 1 m pigtail cable		AGC-CPL-068-002	
40-4M5-1D3 coupling	Coupling for 40 mm PCD1 with (4) M5 and (1) 3mm indexing pins, with screws for 2-F Gripper fixation and 1 m pigtail cable		AGC-CPL-070-002	
31.5-4M4 coupling	Coupling for 31.5 mm PCD1 with (4) M4, with screws for 2-F Gripper fixation and 1 m pigtail cable		AGC-CPL-071-002	



Item	Description	Ordering Number (1 Cup)	Ordering Number (2 Cups)	Ordering Number (4 Cups)
Adapter plate to 63-4M6-71-2D3	Wrist adapter plate for use with AGC-CPL-064-002. Interface to 63 mm PCD <sup>1</sup> with (4) M6 screws and 71 mm PCD <sup>1</sup> with (2) M3 indexing pins	AGC-APL-151-002		
Adapter plate to 63-4M6-61_4-2D6	Wrist adapter plate for use with AGC-CPL-064-002. Interface to 63 mm PCD <sup>1</sup> with (4) M6 screws and 61.4 mm PCD 1 with (2) M6 indexing pins	AGC-APL-152-002		
Adapter plate to 80-6M8-2D82D8	Wrist adapter plate for use with AGC-CPL-064-002. Interface to 80 mm PCD <sup>1</sup> with (6) M8 screws and (2) M8 indexing pins	AGC-APL-153-002		



---

# 9. Troubleshooting

---

## 9.1. Communication

### 9.1.1. When using EPick Vacuum gripper with USB to RS485 serial converter:

Troubleshooting from the Gripper LED:

1. LED is not lit, Gripper not powered.
  - a. Check Gripper power supply and electrical setup
2. LED is solid blue and red, Gripper is in fault.
  - a. Disconnect the communication and power cycle the Gripper. The LED should turn solid red when powered.
  - b. While powered with red LED, connect the communication, LED should turn solid blue when connection is established.
3. Flashing blue and red LED, Gripper is in fault.
  - a. Gripper may be in auto-release, wait for auto-release to be completed, then turn off auto-release and initialize the Gripper.
  - b. Gripper may have a major fault, check the error from fault status and contact support.
4. Solid blue, no fault and communicating.
  - a. If you can control the Gripper from the GUI on the pendant, check your program structure.
  - b. If you can not control the Gripper from the pendant, contact support.
5. Solid red, no fault, but Gripper is not communicating.
  - a. USB-RS485 converter LEDs are :
    - Not lit, no USB communication.
      - i. Check USB connection.
      - ii. Re-install drivers.
      - iii. Contact support.
    - Red flashes at slow rate.
      - i. Check the DB-9 connector.
      - ii. Check the cable.
      - iii. Check the communication parameters from the Robotiq User Interface, see recovery procedure.
      - iv. Contact support.



- Red and green flashing at high speed.
  - i. Check fault status, maximum operating temperature could be exceeded.
  - ii. Contact support.

## 9.1.2. When using EPick vacuum gripper with Universal Robots package:

Troubleshooting from the previous section (LED references) still applies.

URCap install (from the UR teach pendant):

1. Verify that the latest URCap is installed from the **Robot Setup** menu, inside the **URCaps** tab
  - a. URCaps installation instructions are in the **Installation** section
  - b. Inside the URCaps tab, if you select the appropriate URCap file, you can see the current software version
  - c. Gripper toolbar should appear if installed properly
2. URCap is installed but Gripper cannot be controlled :
  1. If Gripper LED is not blue, follow the steps in the first section above
  2. If Gripper LED is blue, URCap is installed with the latest available version, contact [support@robotiq.com](mailto:support@robotiq.com)

Driver package install (from the UR teach pendant):

1. Driver checkup :
  - a. Use the latest driver version available at [support.robotiq.com](http://support.robotiq.com)
    - Use the installation instruction from the **Installation** section
  - b. To check your driver version :
    - With the Gripper unplugged
    - From the UR teach pendant screen, click the "Gripper" button
      - i. Driver version will be shown
      - ii. If Gripper button is not displayed, driver package is not properly installed, see instruction from the **URCap Package** section
2. Driver is installed but Gripper cannot be controlled :
  - a. If Gripper LED is not blue, follow the steps in the first section above
  - b. If Gripper LED is blue, driver is installed with the latest available version, contact [support@robotiq.com](mailto:support@robotiq.com)



## 9.2. Vacuum Gripper verification

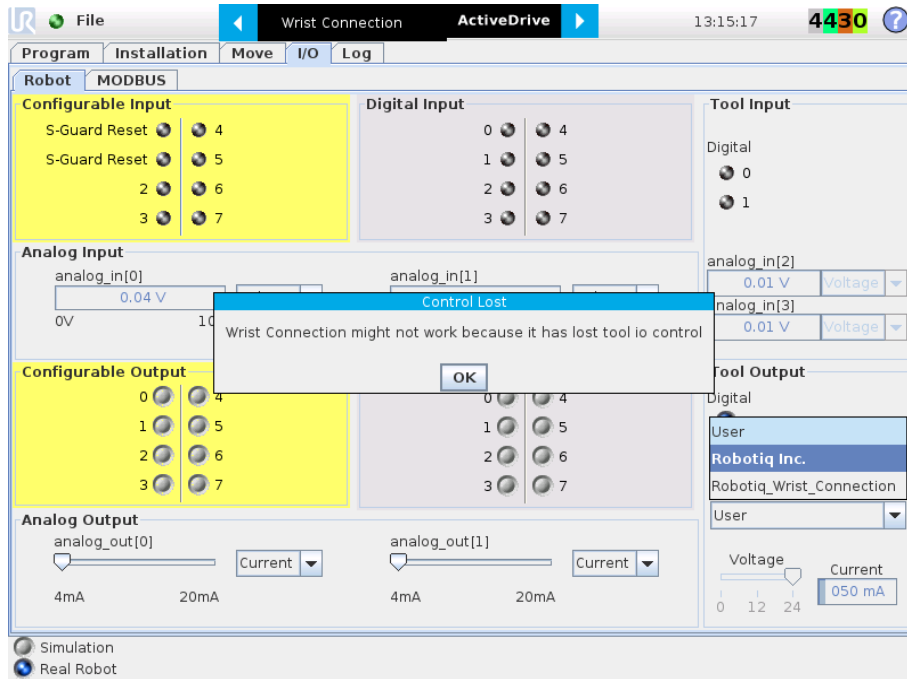
If you are not able to attain the desired vacuum level or if a diminution of the vacuum level occurs, verify:

- The suction cups status
- That the air path is clean and not obstructed (including the manifold)
- If a filter cleaning is necessary

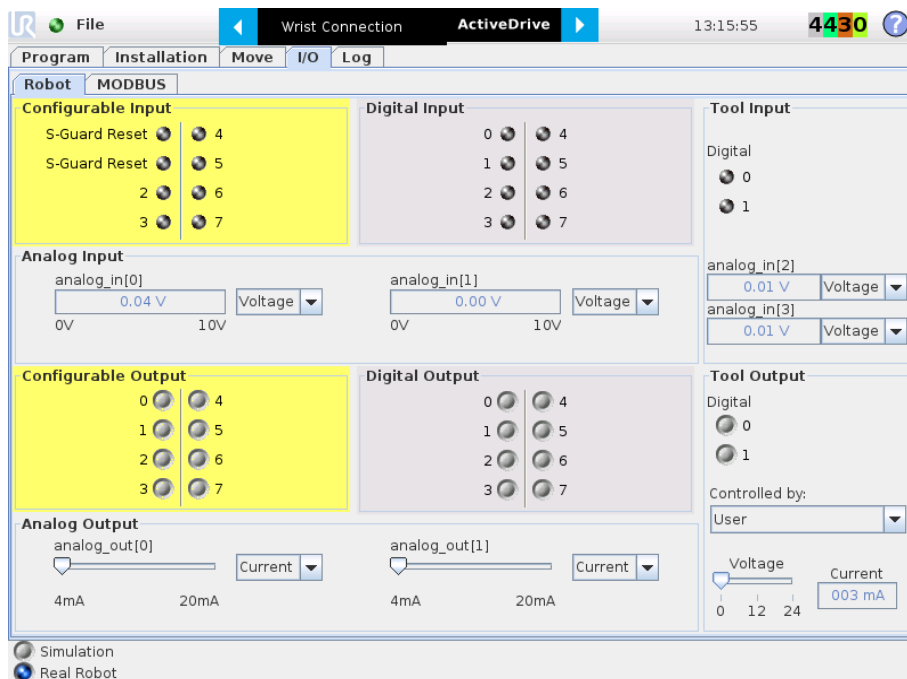


## 9.3. I/O Coupling Troubleshooting

To take the control back of the I/O Coupling, follow the steps:



- 1 Remove the USB cable;
- 2 Select **User** in the *Controlled by* drop down menu
- 3 Use the 24V slider in the *I/O* tab under the *Tool Output* section to slide it to 0 and then back to 24V. It should enable the communication with the robot.





UR File Wrist Connection ActiveDrive 13:09:41 4430

Program Installation Move I/O Log

Robot MODBUS

**Configurable Input**

S-Guard Reset  4

S-Guard Reset  5

2  6

3  7

**Digital Input**

0  4

1  5

2  6

3  7

**Analog Input**

analog\_in[0]  Voltage 0V 10V

analog\_in[1]  Voltage 0V 10V

**Tool Input**

Digital  0  1

analog\_in[2]  Voltage

analog\_in[3]  Voltage

**Configurable Output**

0  4

1  5

2  6

3  7

**Digital Output**

0  4

1  5

2  6

3  7

**Analog Output**

analog\_out[0]  Current 4mA 20mA

analog\_out[1]  Current 4mA 20mA

**Tool Output**

Digital  0  1

Controlled by: User

Voltage  12 24

Current

Simulation  
 Real Robot



# 10. Warranty

Robotiq warrants the EPick Gripper against defects in material and workmanship for a period of one year from the date of reception when utilized as intended. Robotiq also warrants that this equipment will meet applicable specifications under normal use.

## Warning

Warranty applies under the following conditions:

- Usage respects the operating and storage conditions specified in **Environmental and Operating Conditions** section.
- Proper installation of the Vacuum Gripper specified in **Installation** section and the following subsections.
- Until one of these condition is reached:
  - 1 year
  - 2 000 000 cycle count<sup>1</sup>
- Usage respects maintenance specified in the **Maintenance** section.
- Usage respects recommended payload and force specified in the **Mechanical specifications** section.

<sup>1</sup>Cycle count: One (1) cycle is defined as a successful object gripping attempt. It is calculated in the internal memory of the EPick Gripper and can be seen on the robot teach pendant when using with the Universal Robots or with the Robotiq User Interface.

During the warranty period, Robotiq will repair or replace any defective EPick Gripper, as well as verify and adjust the Vacuum Gripper free of charge if the equipment should need to be repaired or if the original adjustment is erroneous. If the equipment is sent back for verification during the warranty period and found to meet all published specifications, Robotiq will charge standard verification fees.

The unit is considered defective when at least one of the following conditions occurs:

- The Vacuum Gripper feedback necessary for the robot program is not accessible.
- Wear of the Vacuum Gripper components due to direct contact with the workpiece or obstacles is not covered by the warranty.

## Caution

The warranty will become null and void if the :

- Unit has been tampered with, repaired or worked on by unauthorized individuals.
- Screws, other than as explained in this guide, have been removed.
- Unit has been opened other than as explained in this guide.
- Unit serial number has been altered, erased, or removed.
- Unit has been misused, neglected, or damaged by accident.

This warranty is in lieu of all other warranties expressed, implied, or statutory, including, but not limited to, the implied warranties of merchantability and fitness for a particular purpose. In no event shall Robotiq be liable for special, incidental, or consequential damages.



Robotiq shall not be liable for damages resulting from the use of the EPick Gripper, nor shall Robotiq be responsible for any failure in the performance of other items to which the EPick Gripper is connected or the operation of any system of which the Vacuum Gripper may be a part.



## Exclusions

This warranty excludes failure resulting from: improper use or installation, normal wear and tear, accident, abuse, neglect, fire, water, lightning or other acts of nature, causes external to the Vacuum Gripper or other factors beyond Robotiq's control. It also excludes all consumable parts, such as suction cups, and their normal wear.

Robotiq reserves the right to make changes in the design or construction of any of its products at any time without incurring any obligation to make any changes whatsoever on units already purchased.

## 10.1. I/O Coupling Warranty

Robotiq warrants the I/O Coupling against defects in material and workmanship for a period of one year from the date of reception when utilized as intended. Robotiq also warrants that this equipment will meet applicable specifications under normal use.



# 11. Harmonized Standards, Declarations and Certificates

## 11.1. Original EC declaration of incorporation



### EC Declaration of Incorporation (Original)

In accordance with the EC Machinery Directive 2006/42/EC, Annex II, 1., Section B.

We, the manufacturer:

**Robotiq Inc.**  
966 Chemin Olivier, Suite 500  
Lévis, Québec, Canada, G7A 2N1

hereby declares, under sole responsibility, that the product:

**EPick / EPick Vacuum Gripper**  
All serial number  
(and accessories)

complies with the following essential requirements of the European Directive 2006/42/EC on machinery:

1.1.2, 1.1.3, 1.1.5, 1.3.2, 1.3.4, 1.5.1, 1.5.2, 1.5.4, 1.5.8, 1.5.10, 1.5.11, 1.7.2.

The product is considered as partly completed machinery and has been evaluated in accordance with the following harmonised standards:

- *EN ISO 12100:2010*

**The product must not be put into service until the final machinery into which it is to be incorporated has been declared in conformity with the provisions of the Directive 2006/42/EC, including amendments.**

The manufacturer declares that the product complies with the following European Directives and harmonised standards:

- **2014/30/EU (EMC Directive)**
  - *EN 61000-6-2:2016*
  - *EN 61000-6-4:2007 + A1:2011*
- **2011/65/EU + 2015/863 (RoHS Directive)**
  - *EN 50581:2012*
- **2012/19/EU (WEEE Directive)**
  - *EN 50419:2005.*

The manufacturer also declares the use of these other technical standards, as far as applicable:

*ISO 9409-1:2004.*

Name and address of the person authorised to compile the relevant technical documentation:

Nicolas Tremblay, CEP, see manufacturer address.

The relevant technical documentation is compiled in accordance with part B of Annex VII of Directive 2006/42/EC and will be presented electronically by the manufacturer to competent national authorities, if required with a substantiated reason.

Signed in Lévis on November 7<sup>th</sup>, 2019

Louis-Alexis Allen Demers, ing., Eng., Ph. D.  
Hardware Director



## 11.2. Applied standards

This section describes all applied harmonized standards for the design and production of the EPick Vacuum Gripper. Conformity of the product is only met if all instructions of the current user manual are followed. Among others; proper installation, safety measures and normal usage must be respected. A risk assessment specific to the user's final application must also be carried out.

### Caution

Conformity of the product is only met if all instructions of the following manual are followed. Among others; installation, safety measure and normal usage must be respected.

The following standards have been applied:

ISO 12100	2010	Safety of machinery — General principles for design — Risk assessment and risk reduction
ISO 9409-1	2004	Manipulating industrial robots – Mechanical interfaces – Part 1: Plates
ISO 4414	2010	Pneumatic fluid power – General rules and safety requirements for systems and their components
IEC 61000-6-2	2016	Generic standards – Immunity standard for industrial environments
IEC 61000-6-4	2018	Generic standards – Emission standard for industrial environments
EN 50581	2012	Technical documentation for the assessment of electrical and electronic products with respect to the restriction of hazardous substances



---

# 12. Contact

---

[www.robotiq.com](http://www.robotiq.com)

## Contact Us

### Phone

1-888-ROBOTIQ (762-6847)  
(01) 418-380-2788 Outside US and Canada

### Technical support and engineering

option 3

### Sales

option 2

### Head office

Robotiq:  
966, chemin Olivier  
Suite 500  
St-Nicolas, Québec  
G7A 2N1  
Canada



Where automation Pros come to share their know-how and get answers.

[dof.robotiq.com](http://dof.robotiq.com)

