

THANK YOU FOR CHOOSING ROBOTIQ

This step-by-step guide will allow you to **install** and **use** your **2-Finger Gripper** on TM Series robots.



1. WHAT IS SUPPLIED?

Standard upon delivery of a TM Series kit:

- 2-Finger Adaptive Gripper (AGC-GRP-2F85 or -2F140)
- Gripper Coupling(GRP-CPL-062)
- High-Flex Device Cable.....(CBL-COM-2065-10-HF)
- RS232 to RS485 Adapter..... (ACC-ADT-RS232-RS485)
- USB to RS485 Adapter..... (ACC-ADT-USB-RS485)
- Necessary Hardware



2. TOOLS YOU NEED



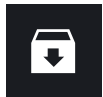
2 mm Slotted Screwdriver



2 mm Hex Key



4 mm Hex Key



3. GET THE LATEST

Visit: support.robotiq.com

- Select Techman Robot, 2F-85 and 2F-140 Grippers, Software, Gripper Software.
- Download the latest TM Plug & Play Software Package.
- Decompress the package at the root of a USB storage device and rename the USB device "TMROBOT".



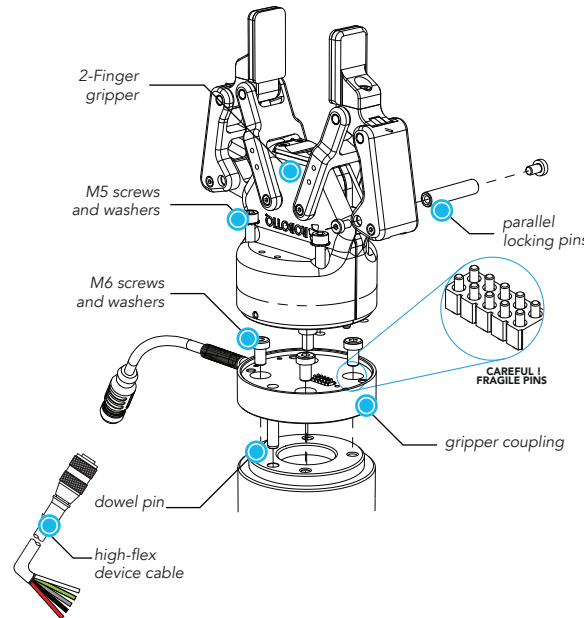
BEFORE OPERATING THE GRIPPER, PLEASE READ INSTRUCTION MANUAL.



4. MOUNTING

- Mount the coupling on your robot arm. Align with the provided dowel pin.
- Secure using the provided M6 screws and tooth lock washers
- Mount the Gripper on the coupling. Align with the dowel pin.
- Secure using the provided M5 screws and tooth lock washers.
- Plug the device cable into the Gripper's pigtail and attach the cable along the robot arm using a cable routing system.

i Parallel locking pins can be installed to perform parallel grasps only. For more details, see the instruction manual.



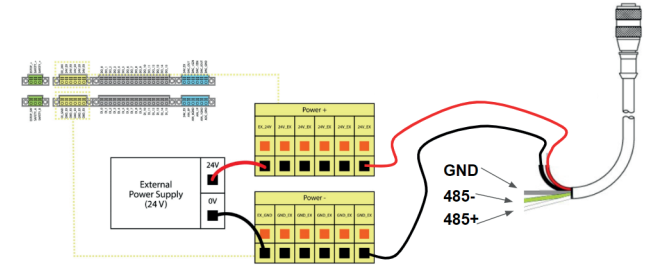
LEAVE ENOUGH EXCESS CABLE TO ALLOW FULL ROBOT MOVEMENT.



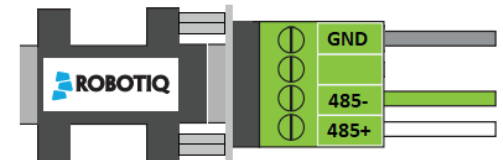
5. WIRING

i The red (24V) and black (0V) wires of the device cable provide power to the gripper.

- Connect the red wire to a 24V slot.
- Connect the black wire to 0V slot.

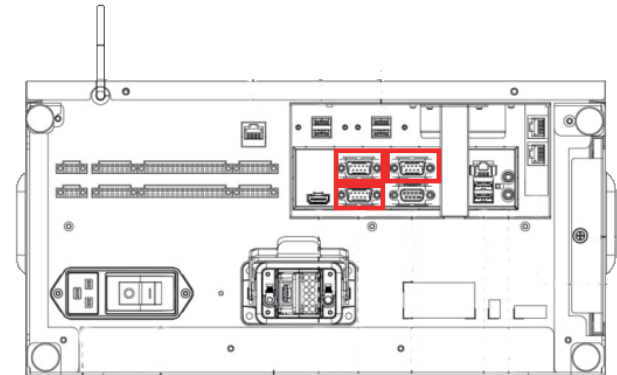


- Connect the communication wires in the RS232 signal converter (ACC-ADT-RS232-RS485) as shown below.



Pin	Signal Name	CBL-COM-2065-10-HF High-Flex Device Cable
1	485 + (A)	WHITE
2	485 - (B)	GREEN
3	485 GND	SHIELD

- Connect the RS232 end of the signal converter to a COM port of the robot controller.





6. SOFTWARE INSTALLATION

- Turn on the robot and log in to TM Flow.
 - Connect the USB device that contains the **Components** in the robot controller.
 - Take control of the robot, tap the **triple bar icon** and select **System Settings**.
 - Click on **Import/Export**.
 - Click on the **Import** button, select **TMComponent** in the **Robot List** menu and click **OK**.
 - Select the files to import in the list on the left and click on the **Send** button.
-
- Tap the **triple bar icon** and select **Robot Setting**.
 - Enable the appropriate Components by clicking on the **radio buttons** and click on the **Save** button.



7. GRIPPER BUTTON CONFIGURATION

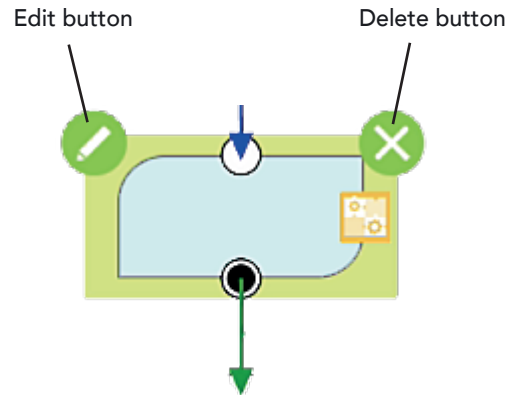
Follow the indications below to assign Gripper commands to the Gripper button found on the robot camera mounted on the robot wrist.

- In the TM Flow robot software, tap the **triple bar icon** and select the **Setting** icon.
- Click on **Gripper Button**.
- In the **Gripper Button** window, tick the **Using Customized Component** radio button.
- Select the Component you want to assign to either one of the Gripper actions.
- In the popup window, select or change the Component your wish to assign to the Gripper action/button.
- Click **OK**.

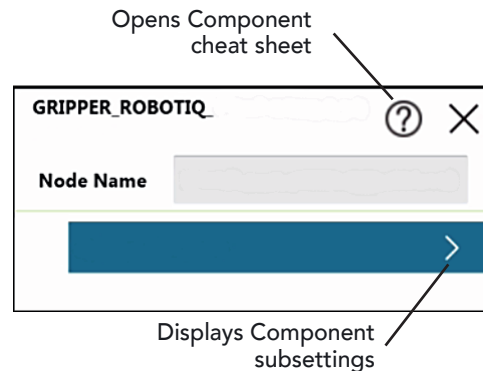


8. USE COMPONENTS TO PROGRAM WITH THE GRIPPER

- From the TM Flow homepage, tap the **triple bar icon** and select the **Project** icon.
- Locate the Gripper Components in the navigation pane on the left side of the screen.
- Click on the program Component after which you wish to insert a Gripper Component.
- Drag and drop the desired Gripper Component under the highlighted Component.



- For advanced parameters, click on the Edit button (pencil icon) in the upper left corner of the Component; the Components menu will pop up.



support.robotiq.com

support@robotiq.com
T: 1.418.380.2788 ext. 3

November 2021
X-990060-B



2F-85 & 2F-140 ADAPTIVE GRIPPERS

QUICK START GUIDE

For installation on
TM Series
collaborative robots

