



POWER PICK

THE ONLY GRIPPER CAPABLE OF LIFTING 11.5-KG CASES ON A UR10E

POWERFUL

Built specifically for palletizing.
Carry heavy cases with a payload capacity of up to 11.5 kg (25 lbs).

ROBUST

Built with industrial pneumatic grade components. **Offers total reliability** when exposed to less controlled conditions, such as humidity and dust. Air and humidity are directly ejected through the muffler instead of using a filter, limiting the risk of clogging.

ADAPTABLE

Offers 46 different configurations.
Pick a wide range of box sizes, shapes, materials and weights without compromising stability.



The lifting capacities are impressive. The pick is robust regardless of the cardboard porosity or variations in the box's folding and taping. During the test phase, I manually broke the seal on one of the cups and it was still holding the box strong.

Enric Villa, Technical Director at Vicosystems

SPECIFICATIONS

Tooling weight	1.03 kg (2.2 lbs) with 200 mm offset
Payload capacity	Up to 13 kg (28.7 lbs) With a UR10e: Up to 11.5 kg (25 lbs)
Energy source	Compressed air
Air rating ISO 8573-1	Class 7-4-4
Size of particles allowed	< 40µm (e. g. plant pollen)
Filtration kit required	5 microns air filter
Maximum vacuum level	80%
Maximum vacuum flow	270 l/min (71.33 GPM)
Maximum air consumption*	275 l/min (72.65 GPM)
Minimum feed pressure	3.0 bar (43.5 psi)
Maximum feed pressure	8.0 bar (116 psi)
Connection, compressed air	8 mm OD tube
Operating ambient temperature	0 to 50°C
Humidity	35-85% RH, non-condensing

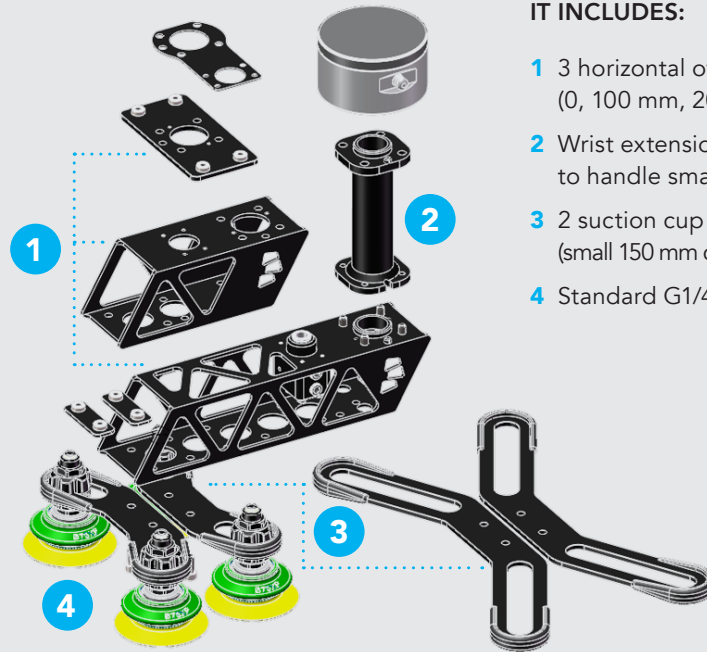
*Air consumption value when feed pressure is at 7.0 Bar.

EASILY CONFIGURABLE

POWERPICK KIT

Standard couplings make setting up and connecting a snap on most cobot.

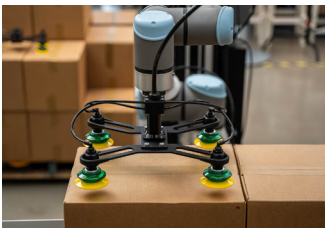
PowerPick comes equipped with a vacuum generator that mounts onto the base of the cobot to allow higher payload.



IT INCLUDES:

- 1 3 horizontal offset brackets (0, 100 mm, 200 mm)
- 2 Wrist extension for vertical offset to handle smaller cases (120 mm)
- 3 2 suction cup brackets (small 150 mm c/c and large 290 mm c/c)
- 4 Standard G1/4 thread suction cups

46 DIFFERENT HANDLING OPTIONS



Large suction cup bracket for adapting to larger cases

0 mm offset for maximum payload and fastest rotation, especially useful for big cases

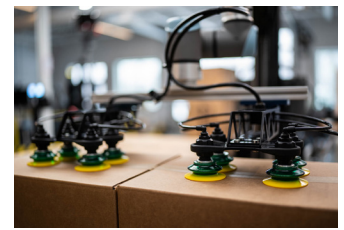


Wrist extension for vertical offset to handle smaller cases

100 mm offset for maximum payload and a greater reach



200 mm offset for even greater reach, particularly useful for smaller and lighter cases



Possibility of dual gripper for multipick applications

POWERFUL - ADAPTABLE - ROBUST

Inspired by hundreds of Robotiq Palletizing Solutions sold all over the world

WHAT'S NEXT?

To learn more or for any additional information, contact us:

robotiq.biz/palletizing 1-888-Robotiq

