

FINGERTIPS AND ACCESSORIES OFFERING

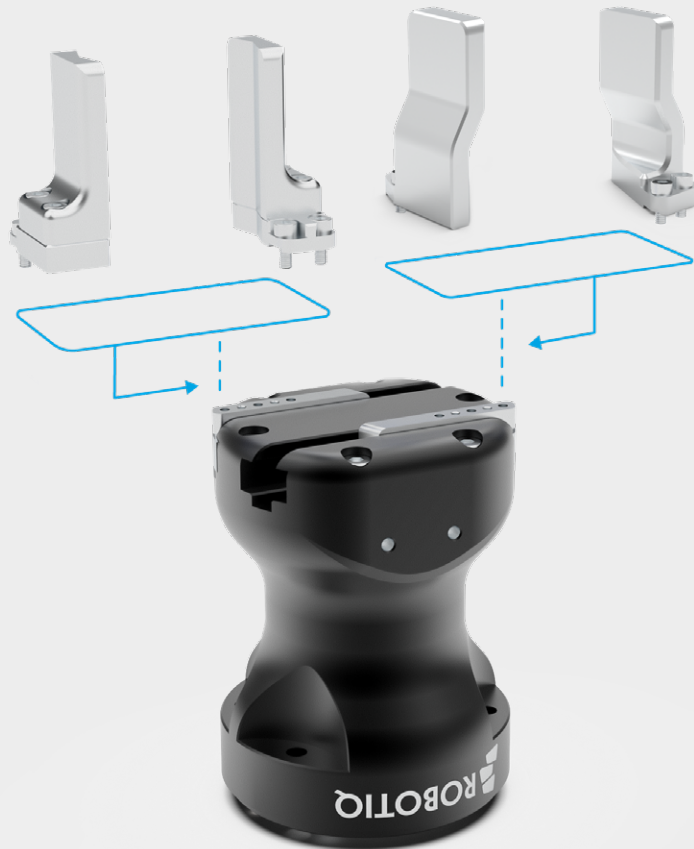


Robotiq offers many fingertip options that let you grasp different parts and shapes. Each gripper comes with different fingertips depending on the application and the robot arm you are looking to integrate with.

We recommend **talking with an expert** to explore the best fit for you.

You may need to customize your fingertips to get the best fit for your application. Luckily, Robotiq Adaptive Grippers are very easy to customize! Visit elearning.robotiq.com for a short lesson on how to design custom fingertips for Robotiq grippers.

You can access every fingertip CAD [here](#).



SUPPORT FOR FINGERTIP CUSTOMIZATION

Our goal has always been to simplify the integration of a robotic cell in your factory. That's why we offer several resources to help you customize your own fingertips.

- Visit our blog to get the latest insights: blog.robotiq.com
- Visit our DoF community to discuss with pros: dof.robotiq.com
- Get help from our integration coaches and use our Blueprints platform to describe your task: blueprints.robotiq.com

Flat Rubber Overmolded Fingertip Kit

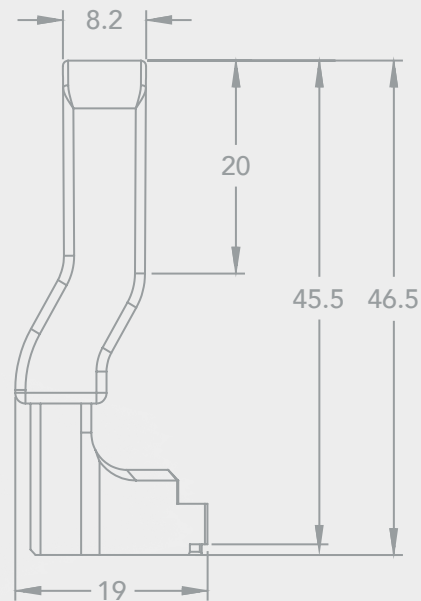
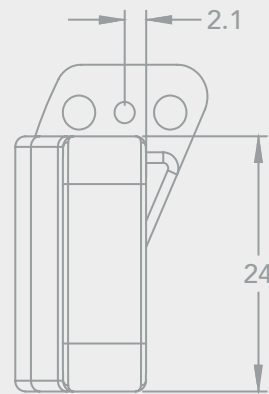
HND-FIN-MLD-KIT

DESIGNED FOR

Internal and external grip.

MATERIAL

NBR rubber



Aluminum Fingertip Kit

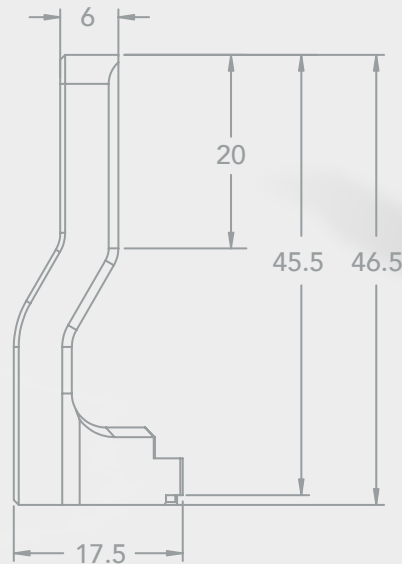
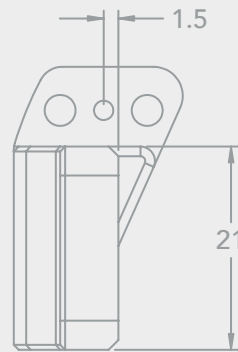
HND-FIN-ALU-KIT

DESIGNED FOR

Internal and external grip.

MATERIAL

Aluminum



4 Stop Fingertips

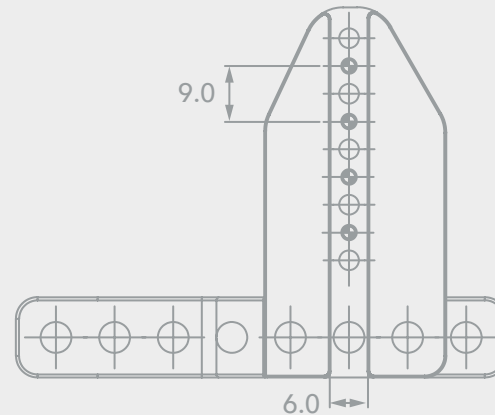
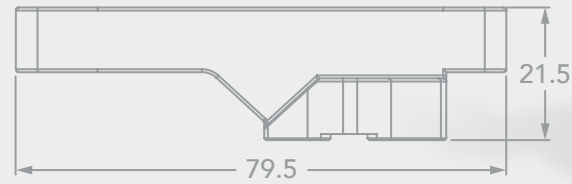
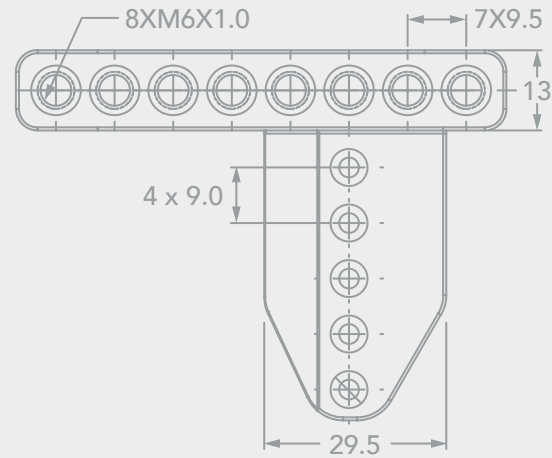
SOL-MT-FIN-4STP

DESIGNED FOR

Flat parts and small cylindrical parts
High parts variability
Diameter 10mm (0.39") to 127 mm (5")

MATERIAL

Aluminum



Small Radial Fingertips

SOL-MT-FIN-RAD-SML

DESIGNED FOR

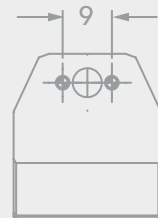
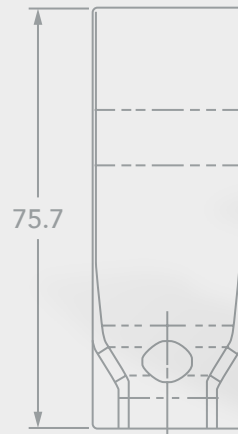
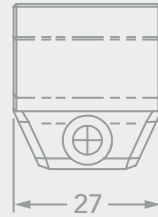
Long and thin cylindrical parts

High Grip: Diameter 8 mm to 24 mm.
(0.314" to 0.94")

Low Grip: Diameter 23 mm to 76 mm.
(0.9" to 3")

MATERIAL

Aluminum



Large Radial Fingertips

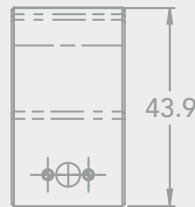
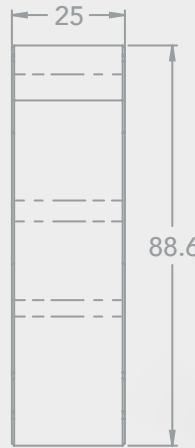
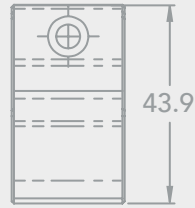
SOL-MT-FIN-RAD-LRG

DESIGNED FOR

Long and large cylindrical parts
Diameter 67mm to 100 mm. (2.63" to 3.93")

MATERIAL

Aluminum



V-Groove Fingertip Kit

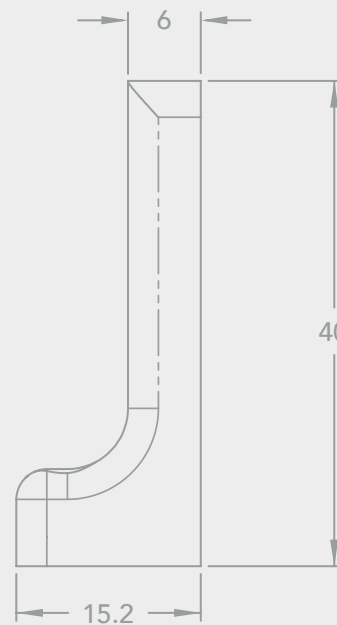
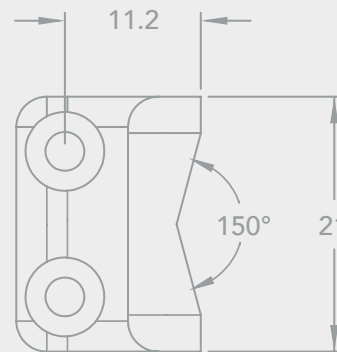
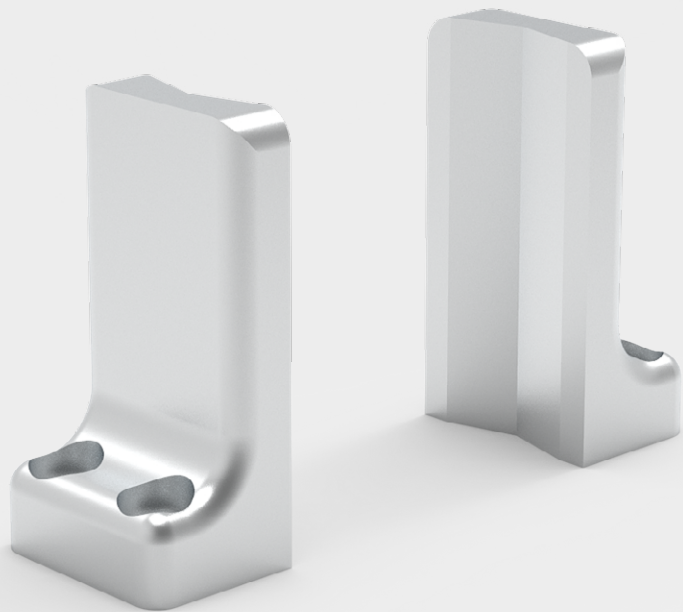
HND-TIP-VGR-KIT

DESIGNED FOR

Cylindrical parts

MATERIAL

Aluminum



Fingertip holder kit needed
– included with Hand-E
(see page 9)

Fingertip Holder Kit

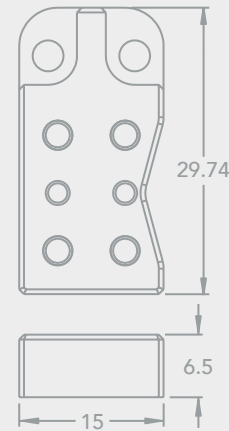
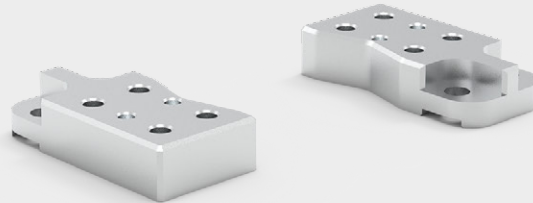
HND-TIP-HLD-KIT

DESIGNED FOR

Installation of other types of fingertips, stroke of Hand-E becomes 0-38 mm.

MATERIAL

Steel



Fingertip Extender Kit

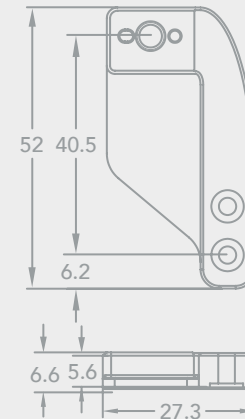
HND-TIP-EXT-KIT

DESIGNED FOR

Allowing Hand-E to open up from 40 to 98 mm and installation of other types of fingertips.

MATERIAL

Steel



Fingertip Holder Kit

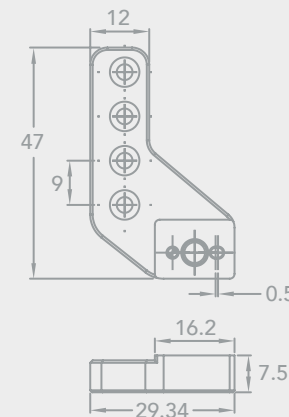
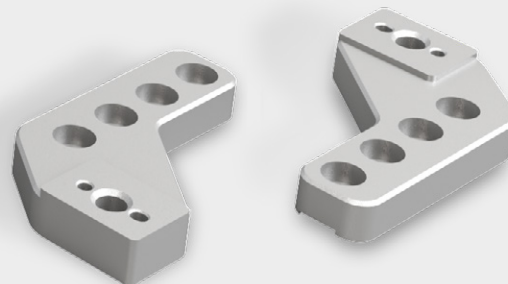
SOL-MT-FIN-ADJ-HOLD

DESIGNED FOR

Installation of other types of fingertips

MATERIAL

Steel

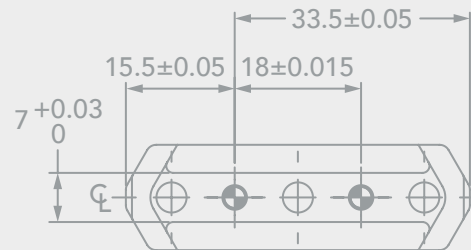
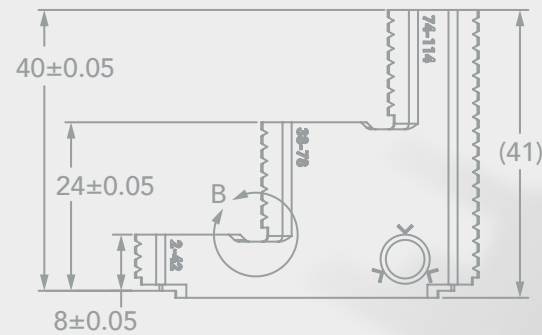
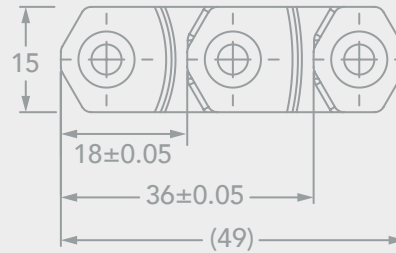


Stepped Finger

HND-C10-FIN-KIT

DESIGNED FOR
High-mix cylindrical parts

MATERIAL
Stainless steel



Finger Extender

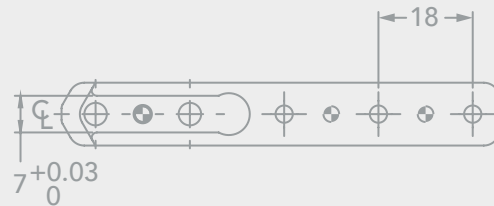
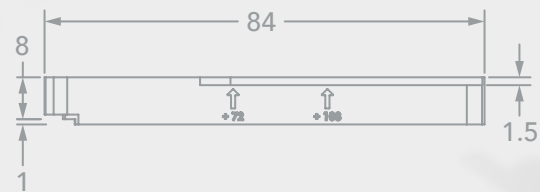
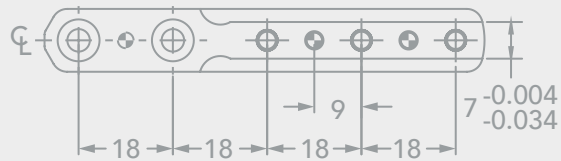
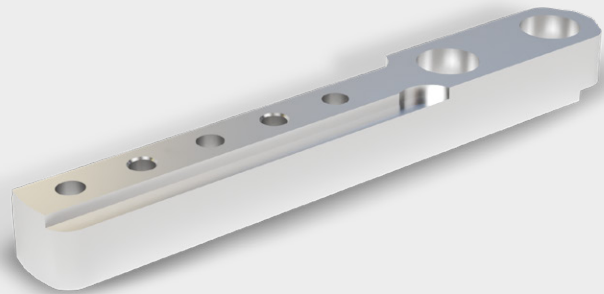
HND-C10-EXTENDER-KIT

DESIGNED FOR

Handling parts up to 6 inches in diameter

MATERIAL

Stainless steel



Stop Plate & Spacers

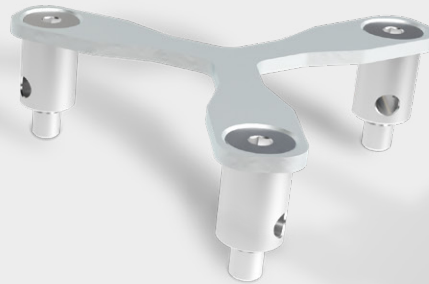
HND-C10-STP-PLATE-KIT

DESIGNED FOR

Increasing repeatability, depending the step used on the fingers

MATERIAL

Stainless steel

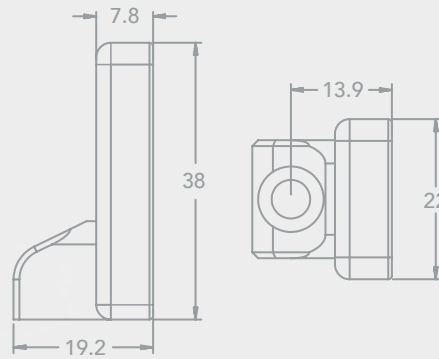
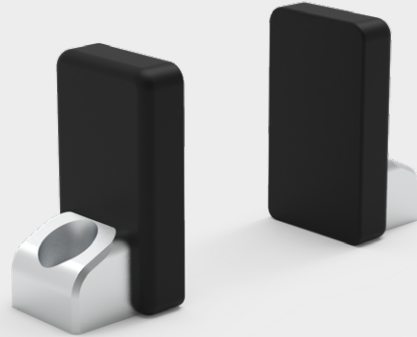


Flat Rubber Overmolded Fingertip Kit

AGC-TIP-MLD-KIT-85

Included with 2F-85 Gripper
Perfect for internal and external grip.

MATERIAL
NBR rubber

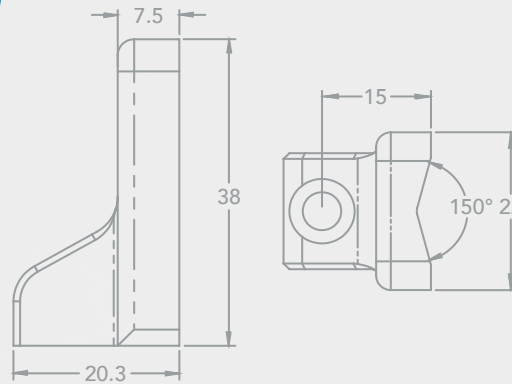
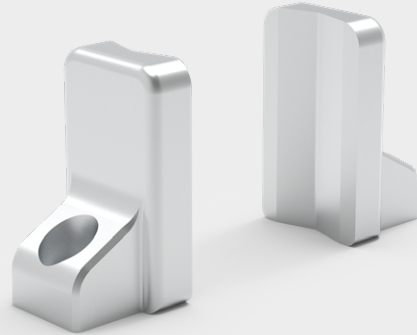


Grooved Fingertip Kit

AGC-TIP-205-085

DESIGNED FOR
Cylindrical parts

MATERIAL
Aluminum

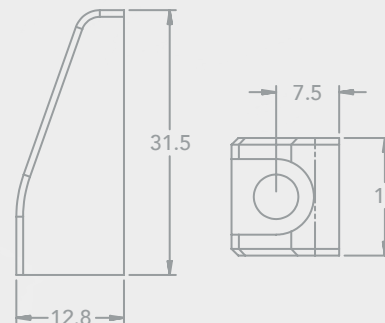


Fingertip Conversion Kit

AGC-TIP-CONV-KIT

DESIGNED TO
Replicate the fixture pattern of the 2F V3.

MATERIAL
Aluminum

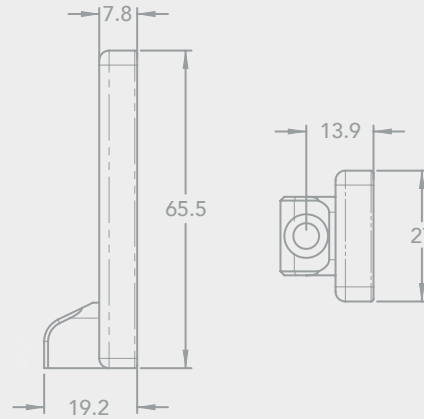


Flat Rubber Overmolded Fingertip Kit

AGC-TIP-MLD-KIT-140

**Included with
2F-140 Gripper**
Perfect for internal
and external grip.

MATERIAL
NBR rubber

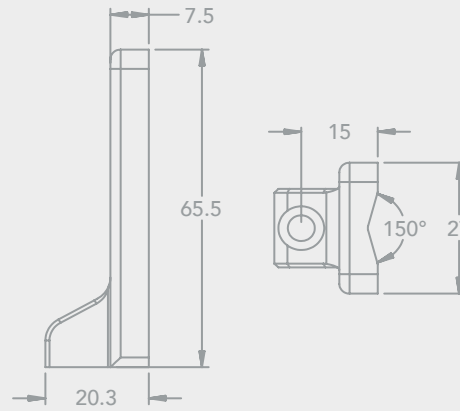
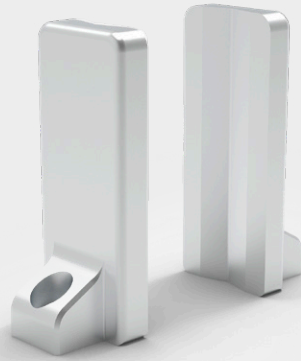


Grooved Fingertip Kit

AGC-TIP-421-140

DESIGNED FOR
Cylindrical parts

MATERIAL
Aluminum

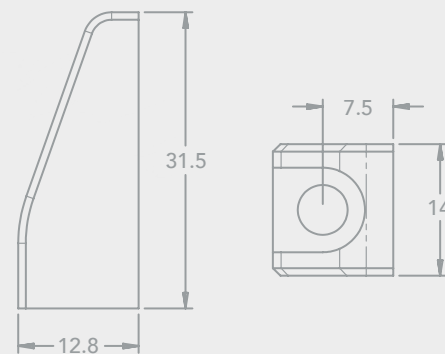


Fingertip Conversion Kit

AGC-TIP-CONV-KIT

DESIGNED TO
Replicate the fixture pattern
of the 2F V3.

MATERIAL
Aluminum



Dual Bracket (X)

SOL-MT-COMP-DUAL-HND-BRK-KIT

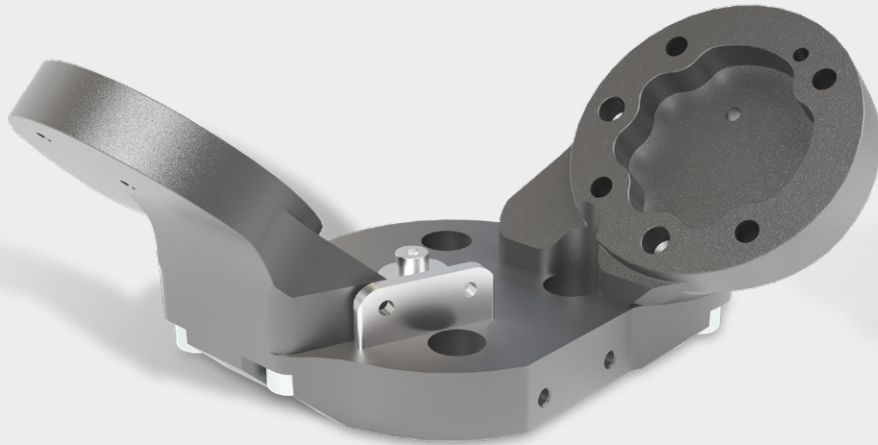
ACC-SPLIT-M8-1M/2F

DESIGNED FOR

Handling two parts/actions simultaneously.

MATERIAL

Anodized Aluminum



Dual Bracket (Y)

AGC-APL-159-002

ACC-SPLIT-M8-1M/2F

DESIGNED FOR

Handling two parts/actions simultaneously.

MATERIAL

Anodized Aluminum



90° Gripper Bracket

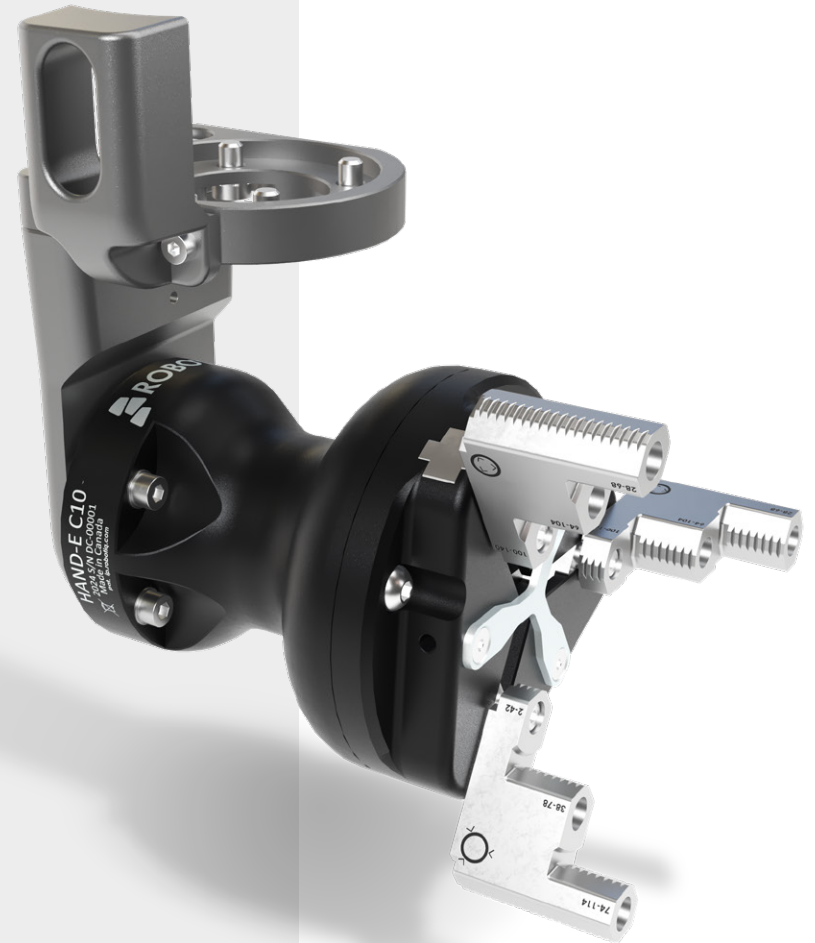
AGC-APL-90DEG

DESIGNED FOR

Improving the tool's ability to fit into tight spaces and lowers the risk of the robot arm going into singularity.

MATERIAL

Anodized Aluminum



**START
PRODUCTION
FASTER**

robotiq.com

November 2024